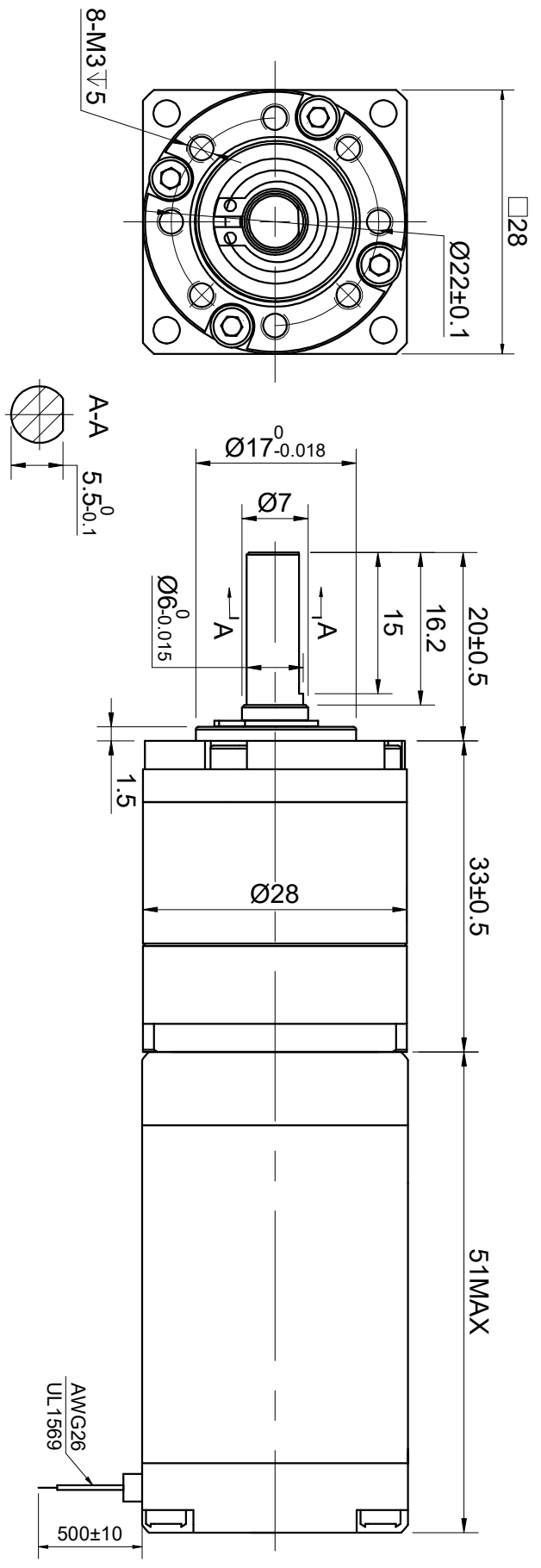


CUSTOMER'S MODEL: NO MODEL
 END COVER COLOR: BLACK

REV.	REVISION RECORD	BY	DATE
0	ORIGIN	LJ	3.14.2025



SPECIFICATION	CONNECTION	BIPOLAR
AMPS/PHASE		0.70
RESISTANCE/PHASE(Ohms)@25°C		8.00±10%
INDUCTANCE/PHASE(mH)@1KHz		5.20±20%
HOLDING TORQUE w/o GEARBOX(Nm)[lb-in]		0.12[1.04]
STEP ANGLE w/o GEARBOX(°)		1.80
GEAR RATIO		10
GEAR EFFICIENCY		96%
BACKLASH@NO-LOAD(arcmin)		<=15
MAX.PERMISSIBLE TORQUE(Nm)		1.00
MOMENT PERMISSIBLE TORQUE(Nm)		2.00
AMBIENT TEMPERATURE		-10°C~50°C[14°F~122°F]
INSULATION CLASS		B 130°C[266°F]
TEMPERATURE RISE		MAX.80°C

COMMENT:
 1.DYNAMIC AXIAL LOAD: 100N MAX
 2.DYNAMIC RADIAL LOAD @ SHAFT LENGTH 20mm: 300N MAX
 3.TMBF 6000h OR MORE @ 24V/300RPM
 4.INSULATION RESISTANCE (NORMAL TEMPERATURE AND HUMIDITY): 100 Mohm
 5.DIELECTRIC STRENGTH 500VAC FOR 1MIN.(BETWEEN THE MOTOR COILS AND THE MOTOR CASE)

PIN NO	BIPOLAR	LEADS	WINDING
1	A+	BLK	A+
2	A-	GRN	A-
3	B+	RED	B+
4	B-	BLU	B-

STEP	FULL STEP 2 PHASE-EX. WHEN FACING MOUNTING END (X)				CCW	CW	DIMENSIONS ARE IN MILLIMETERS: TOLERANCES AS BELOW: DECIMALS ANGLES
	A+	B+	A-	B-			
1	+	+	-	-		X ±0.5 XX ±0.25 XXX ±0.13	
2	-	+	+	-			
3	-	-	+	+			
4	+	-	-	+			

THIS DOCUMENT SHALL NOT BE REPRODUCED NOR SHALL THE INFORMATION CONTAINED HEREIN BE USED BY OR DISCLOSED TO OTHERS UNLESS EXPRESSLY AUTHORIZED IN WRITING BY STEPPERONLINE.

STEPPERONLINE®

STEPPER MOTOR

11HS20-0704S-EGS10

REV.	0	SCALE	1:1	DWG. NO.	A2836
------	---	-------	-----	----------	-------