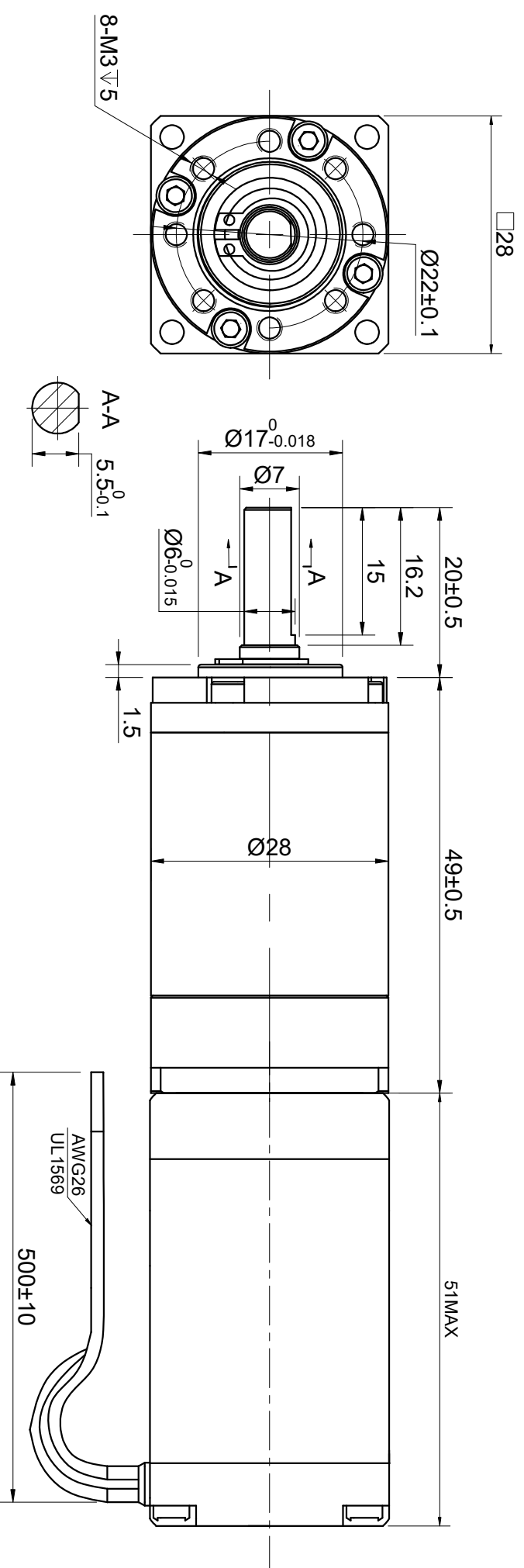


CUSTOMER'S MODEL: NO MODEL  
 END COVER COLOR: BLACK

REV.	REVISION RECORD	BY	DATE
0	ORIGIN	LJ	3.14.2025



SPECIFICATION	CONNECTION	BIPOLAR
AMPS/PHASE		0.70
RESISTANCE/PHASE(Ohms)@25°C		8.00±10%
INDUCTANCE/PHASE(mH)@1KHz		5.20±20%
HOLDING TORQUE w/o GEARBOX(Nm)[lb-in]		0.12[1.04]
STEP ANGLE w/o GEARBOX(°)		1.80
GEAR RATIO		100
GEAR EFFICIENCY		90%
BACKLASH@NO-LOAD(arcmin)		<=25
MAX.PERMISIBLE TORQUE(Nm)		6.0
MOMENT PERMISSIBLE TORQUE(Nm)		12.0
AMBIENT TEMPERATURE		-10°C~50°C[14°F~122°F]
INSULATION CLASS		B 130°C[266°F]
TEMPERATURE RISE		MAX.80°C

COMMENT:  
 1.DYNAMIC AXIAL LOAD: 100N MAX  
 2.DYNAMIC RADIAL LOAD @ SHAFT LENGTH 20mm: 300N MAX  
 3.TMBF 6000h OR MORE @ 24V/300RPM  
 4.INSULATION RESISTANCE (NORMAL TEMPERATURE AND HUMIDITY): 100 Mohm  
 5.DIELECTRIC STRENGTH 500VAC FOR 1MIN.(BETWEEN THE MOTOR COILS AND THE MOTOR CASE )

MOTOR CONNECTION			
PIN NO	BIPOLAR	LEADS	WINDING
1	A+	BLK	A+
2	A-	GRN	A-
3	B+	RED	B+
4	B-	BLU	B-

FULL STEP 2 PHASE-EX. WHEN FACING MOUNTING END (X)				DIMENSIONS ARE IN MILLIMETERS:	
STEP	A+	B+	A-	B-	TOLERANCES AS BELOW:
1	+	+	-	-	X ±0.5
2	-	+	+	-	X X ±0.25
3	-	-	+	+	X.XX ±0.13
4	+	-	-	+	

THIS DOCUMENT SHALL NOT BE REPRODUCED NOR SHALL THE INFORMATION CONTAINED HEREIN BE USED BY OR DISCLOSED TO OTHERS UNLESS EXPRESSLY AUTHORIZED IN WRITING BY STEPPERONLINE.

**STEPPERONLINE®**

**STEPPER MOTOR**

11HS20-0704S-EGS100

REV.	0	SCALE	1:1	DWG. NO.	A2837
------	---	-------	-----	----------	-------