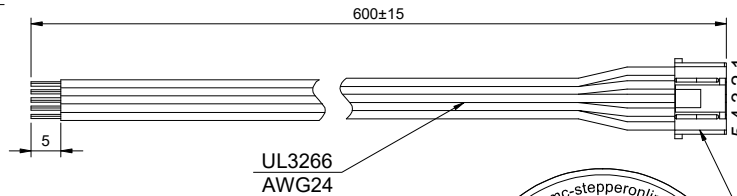
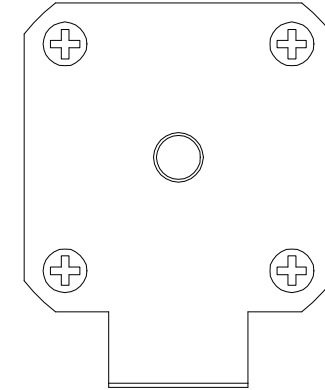
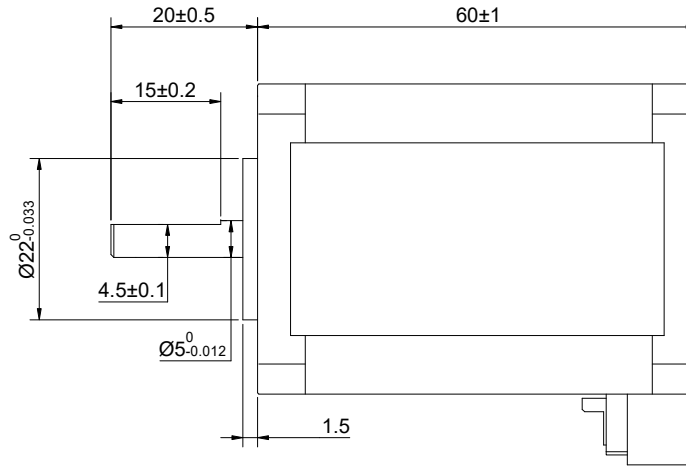
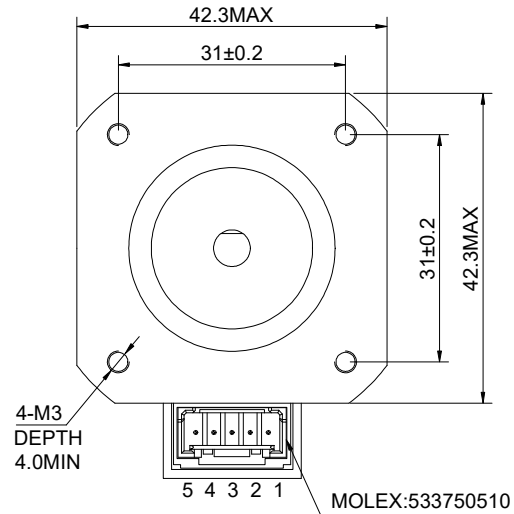


CUSTOMER'S MODEL: NO MODEL
 END COVER COLOR: GRAY

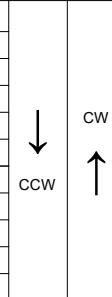
REV.	REVISION RECORD	BY	DATE
0	ORIGIN	LDJ	7.31.2025



CONNECTION	BIPOLAR
SPECIFICATION	BIPOLAR
PHASE	5
AMPS/PHASE	1.80
RESISTANCE/PHASE(Ohms)@25°C	0.64±10%
INDUCTANCE/PHASE(mH)@1KHz	0.60±20%
HOLDING TORQUE(Nm)[lb-in]	0.50[4.42]
STEP ANGLE(°)	0.72
STEP ACCURACY(NON-ACCUM)	±5.00%
ROTOR INERTIA(g-cm²)	-
WEIGHT(Kg)[lb]	-
AMBIENT TEMPERATURE	-10°C~50°C[14°F~122°F]
INSULATION CLASS	B 130°C[266°F]
TEMPERATURE RISE	MAX.80°C

FULL STEP 2 PHASE-Ex. WHEN FACING MOUNTING END (X)

STEP	A	B	C	D	E
1		-		+	+
2		-	-		+
3	+		-		
4	+		-	-	
5	+	+		-	
6		+		-	-
7		+	+		-
8	-		+		
9	-		+	+	
10	-	-		+	+



51103-0500
50351-8100

MOTOR CONNECTION			
PIN NO	BIPOLAR	LEADS	WINDING
1	A	BLK	
2	B	GRN	
3	C	ORG	
4	D	RED	
5	E	BLU	

DIMENSIONS ARE IN MILLIMETERS.
 TOLERANCES AS BELOW:
 DECIMALS ANGLES
 X ±0.5 ±2°
 X.X ±0.25
 X.XX ±0.13



STEPPERONLINE®

STEPPER MOTOR

17HF24-1805S

THIS DOCUMENT SHALL NOT BE REPRODUCED NOR SHALL THE INFORMATION CONTAINED HEREIN BE USED BY OR DISCLOSED TO OTHERS UNLESS EXPRESSLY AUTHORIZED IN BY WRITING STEPPERONLINE.

SIGNATURE		DATE
DRN	LDJ	7.31.2025
APVD	MYX	8.4.2025

REV.	0	SCALE	1:1	DWG NO.	A2552
------	---	-------	-----	---------	-------