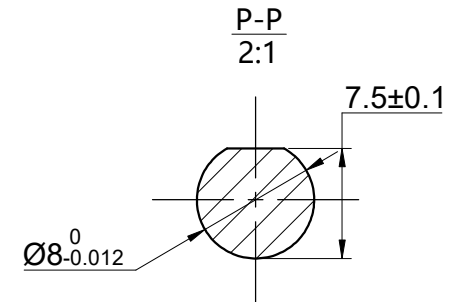
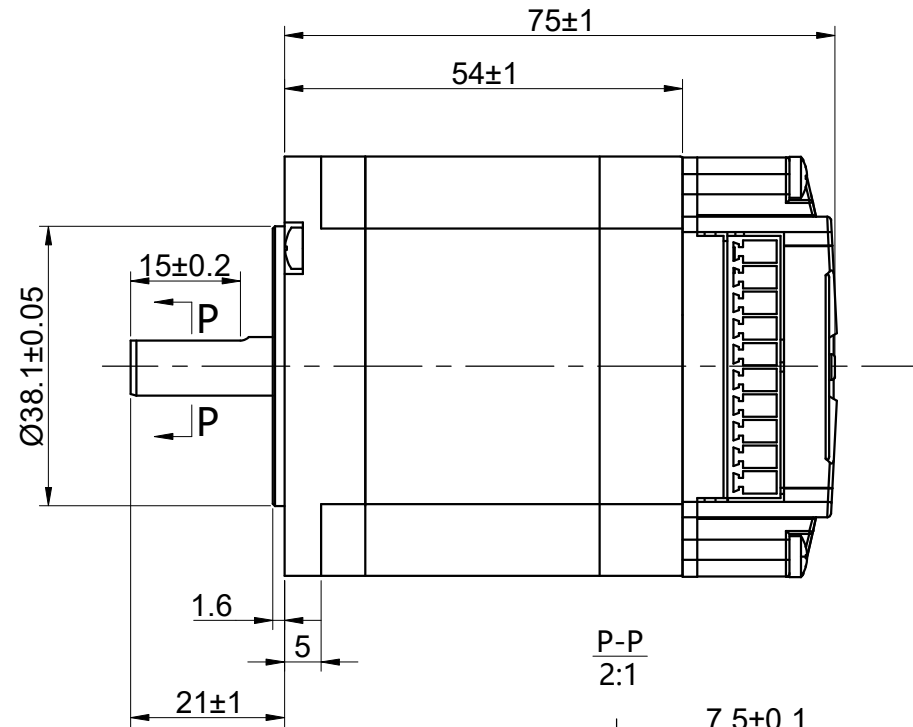
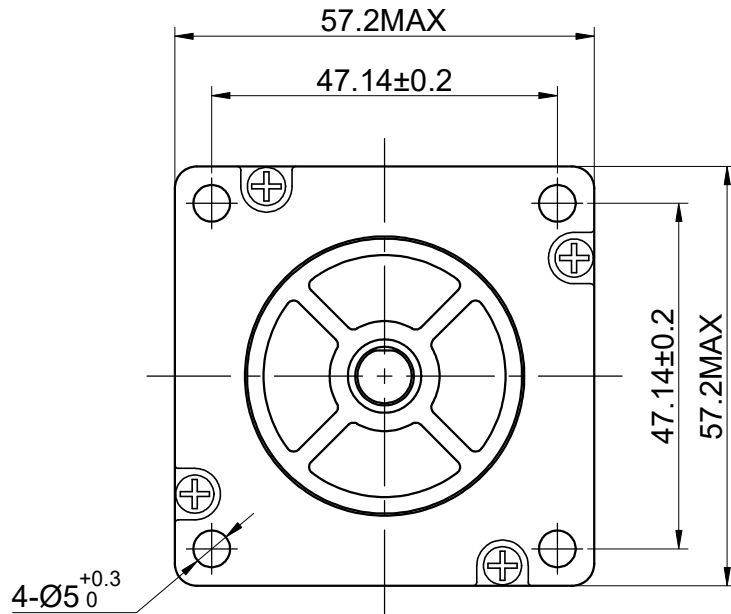


CUSTOMER'S MODEL: NO MODEL
 END COVER COLOR: BLACK

REV.	REVISION RECORD	BY	DATE
0	ORIGIN	HW	7.4.2024



CONNECTION	BIPOLAR
SPECIFICATION	
POWER VOLTAGE(V)	20-50
PEAK CURRENT(A)	0.5-4.5
LOGICAL VOLTAGE(V)	5
LOGICAL CURRENT(mA)	7-16
HOLDING TORQUE(Nm)[lb-in]	1.30[11.50]
STEP ANGLE(°)	1.80
STEP ACCURACY(NON-ACCUM)	±5.00%
MAX. INPUT FREQUENCY	200KHZ
WEIGHT(Kg)[lb]	1.00[2.20]
AMBIENT TEMPERATURE	0°C~40°C[32°F~104°F]
INSULATION CLASS	B 130°C[266°F]
TEMPERATURE RISE	MAX.80°C

FULL STEP 2 PHASE-Ex., WHEN FACING MOUNTING END (X)					CCW	CW	DIMENSIONS ARE IN MILLIMETERS. TOLERANCES AS BELOW: DECIMALS ANGLES X ±0.5 ±2° X.X ±0.25 X.XX ±0.13
STEP	A+	B+	A-	B-			
1	+	+	-	-	↓ ↑	↑ ↓	THIRD ANGLE PROJECTION
2	-	+	+	-			
3	-	-	+	+			
4	+	-	-	+			

THIS DOCUMENT SHALL NOT BE REPRODUCED NOR SHALL THE INFORMATION CONTAINED HEREIN BE USED BY OR DISCLOSED TO OTHERS UNLESS EXPRESSLY AUTHORIZED IN BY WRITING STEPPERONLINE.			SIGNATURE	DATE
DRN	HW	7.4.2024		
APVD	ZPJ	7.5.2024		

STEPPERONLINE®

INTEGRATED STEPPER MOTOR

iDM57-13

REV.	0	SCALE	1:1	DWG NO.	A3470
------	---	-------	-----	---------	-------