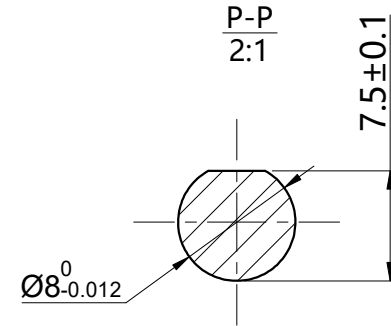
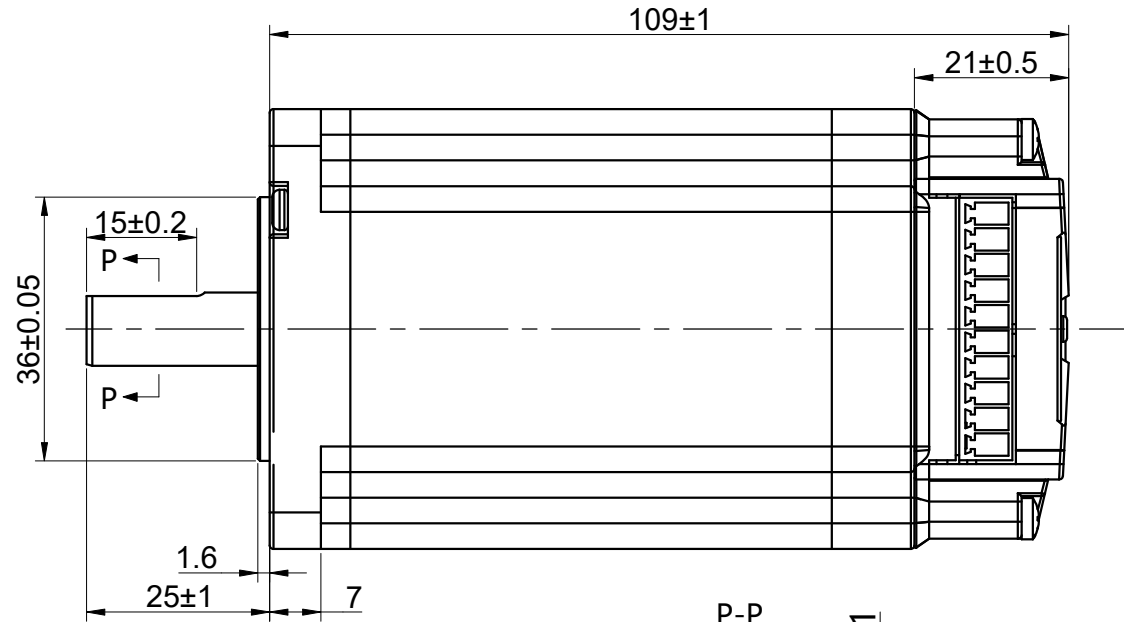
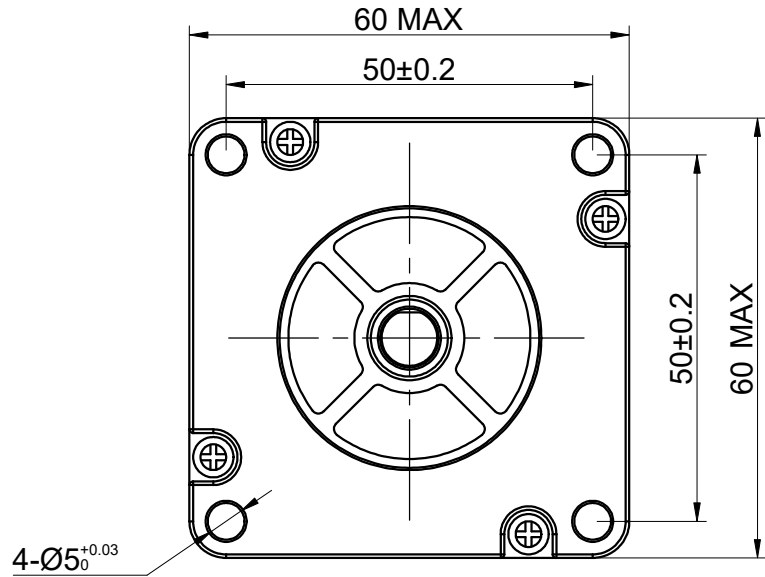


CUSTOMER'S MODEL: NO MODEL
 END COVER COLOR: BLACK

REV.	REVISION RECORD	BY	DATE
0	ORIGIN	HW	7.3.2024



CONNECTION	BIPOLAR
SPECIFICATION	
POWER VOLTAGE(V)	20-50
PEAK CURRENT(A)	0.5-7.0
LOGICAL VOLTAGE(V)	5
LOGICAL CURRENT(mA)	7-16
HOLDING TORQUE(Nm)[lb-in]	3.00[26.55]
STEP ANGLE(°)	1.80
STEP ACCURACY(NON-ACCUM)	±5.00%
MAX. INPUT FREQUENCY	200KHZ
WEIGHT(Kg)[lb]	1.60[3.53]
AMBIENT TEMPERATURE	0°C~40°C[32°F~104°F]
INSULATION CLASS	B 130°C[266°F]
TEMPERATURE RISE	MAX.80°C

FULL STEP 2 PHASE-Ex.,WHEN FACING MOUNTING END (X)						DIMENSIONS ARE IN MILLIMETERS.	
STEP	A+	B+	A-	B-		DECIMALS	ANGLES
1	+	+	-	-		X ±0.5	±2°
2	-	+	+	-		XX ±0.25	
3	-	-	+	+		XXX ±0.13	
4	+	-	-	+			
					CW		
					CCW		
						THIRD ANGLE PROJECTION	

SIGNATURE		DATE
DRN	HW	7.3.2024
APVD	ZPJ	7.5.2024

STEPPERONLINE®							
INTEGRATED STEPPER MOTOR							
iDM60-30							
REV.	0	SCALE	1:1	DWG NO.	A3478		