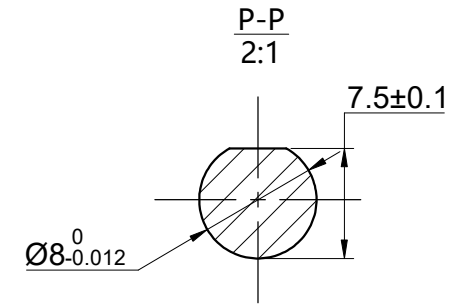
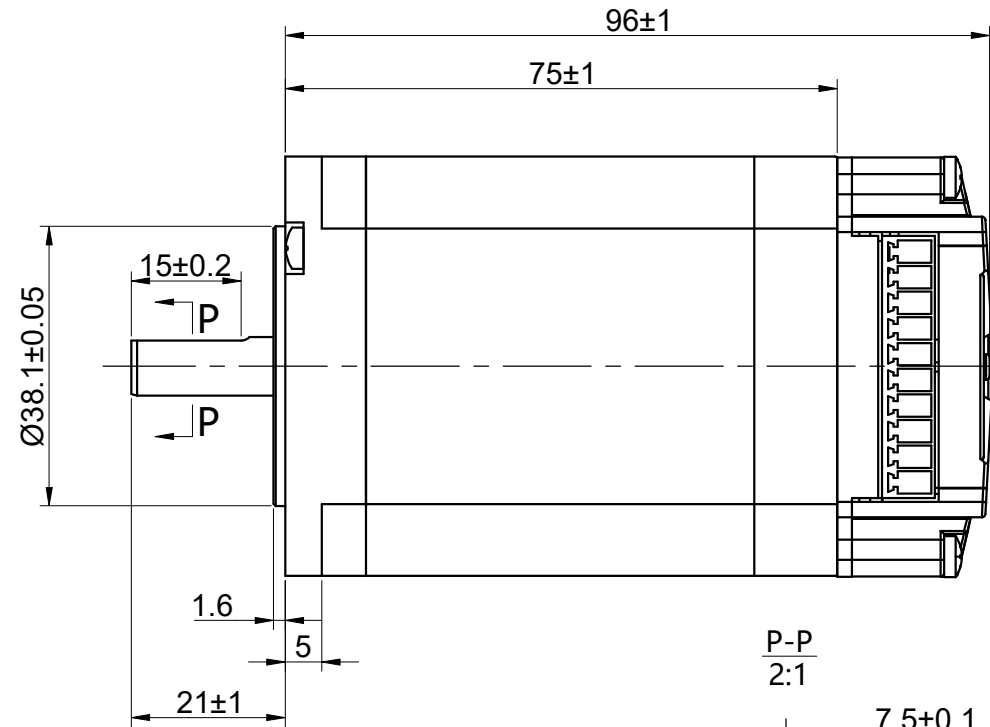
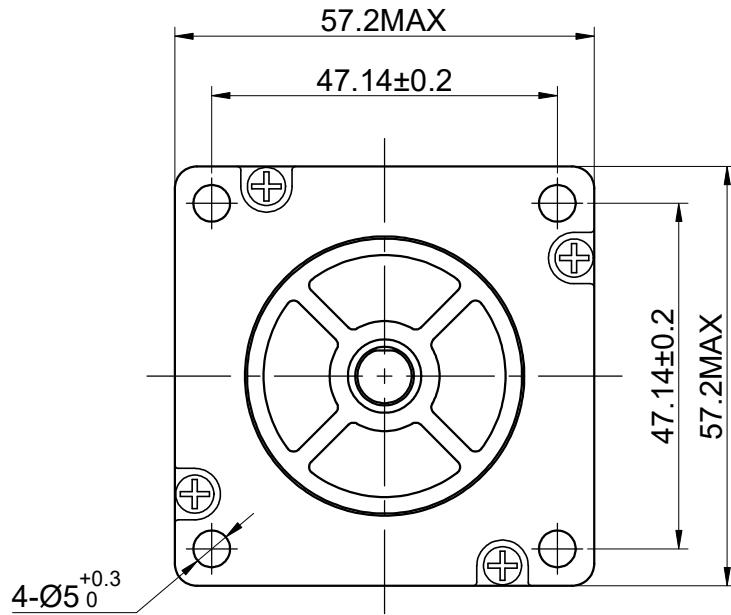


CUSTOMER'S MODEL: NO MODEL
END COVER COLOR: BLACK

REV.	REVISION RECORD	BY	DATE
0	ORIGIN	HW	7.2.2024



CONNECTION	BIPOLAR
SPECIFICATION	
POWER VOLTAGE(V)	20-50
PEAK CURRENT(A)	0.5-7.0
LOGICAL VOLTAGE(V)	5
LOGICAL CURRENT(mA)	7-16
HOLDING TORQUE(Nm)[lb-in]	2.30[20.36]
STEP ANGLE(°)	1.80
STEP ACCURACY(NON-ACCUM)	±5.00%
MAX. INPUT FREQUENCY	200KHZ
WEIGHT(Kg)[lb]	1.30[2.87]
AMBIENT TEMPERATURE	0°C~40°C[32°F~104°F]
INSULATION CLASS	B 130°C[266°F]
TEMPERATURE RISE	MAX.80°C

FULL STEP 2 PHASE-Ex.,WHEN FACING MOUNTING END (X)					DIMENSIONS ARE IN MILLIMETERS. TOLERANCES AS BELOW:	
STEP	A+	B+	A-	B-	CCW	DECIMALS ANGLES
1	+	+	-	-		X ±0.5 ±2°
2	-	+	+	-		X.X ±0.25
3	-	-	+	+		X.XX ±0.13
4	+	-	-	+		
					THIRD ANGLE PROJECTION	
THIS DOCUMENT SHALL NOT BE REPRODUCED NOR SHALL THE INFORMATION CONTAINED HEREIN BE USED BY OR DISCLOSED TO OTHERS UNLESS EXPRESSLY AUTHORIZED IN BY WRITING STEPPERONLINE.					SIGNATURE	DATE
					DRN	HW
					APVD	--

STEPPERONLINE®

INTEGRATED STEPPER MOTOR

iCL57-23

REV.	0	SCALE	1:1	DWG NO.	A3456
------	---	-------	-----	---------	-------