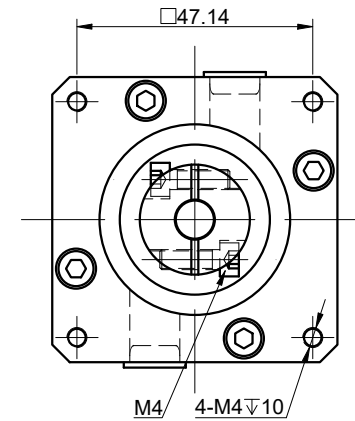
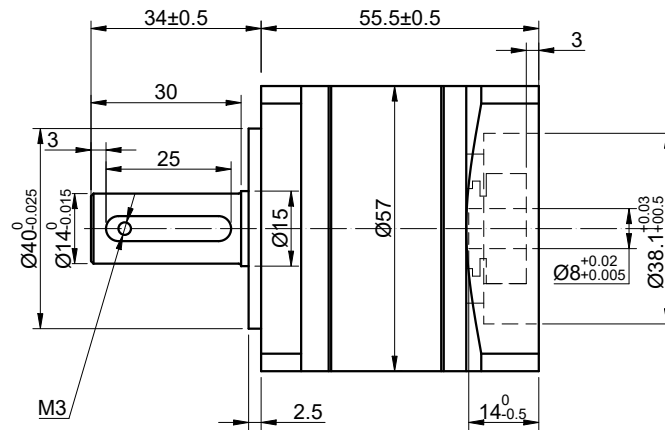
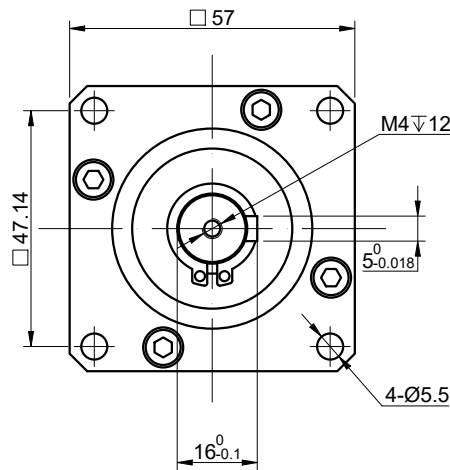


REV.	REVISION RECORD	BY	DATE
0	ORIGIN	MYX	3.3.2025



SPECIFICATION	CONNECTION	VALUE
GEAR RATIO		5
EFFICIENCY		90%
BACKLASH@NO-LOAD(arcmin)		<=30
MAX.PERMISSIBLE TORQUE(Nm)[lb-in]		25.00[221.27]
MOMENT PERMISSIBLE TORQUE(Nm)[lb-in]		50.00[442.54]
SHAFT MAXIMUM AXIAL LOAD(N)		200
SHAFT MAXIMUM RADIAL LOAD(N)		400
GEARBOX MATCHING MOTOR'S INPUT SHAFT LENGTH (mm)		8-14
RATED INPUT SPEED(RPM)		1000
MAX. INPUT SPEED(RPM)		2000
NOISE(dB)		<=55
WATERPROOF RATING		IP54
LIFE(h)		20000
WORKING TEMPERATURE		-20°C~150°C[-4°F~302°F]

DIMENSIONS ARE IN MILLIMETERS.
TOLERANCES AS BELOW:
DECIMALS ANGLES
X ±0.5 ±2°
X.X ±0.25
X.XX ±0.13

THIRD ANGLE PROJECTION		
SIGNATURE		DATE
DRN	MYX	3.3.2025
APVD	LJ	3.3.2025

STEPPERONLINE®

PLANETARY GEARBOX

MG23-G5-D8

REV.	0	SCALE	1:1	DWG NO.	A2359
------	---	-------	-----	---------	-------