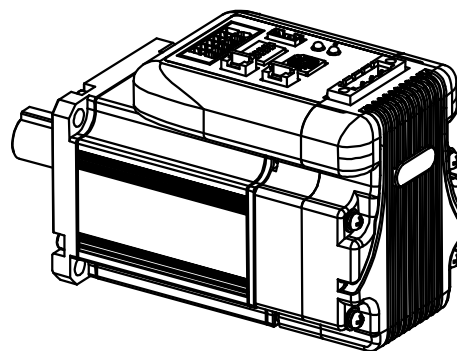
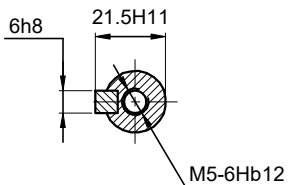
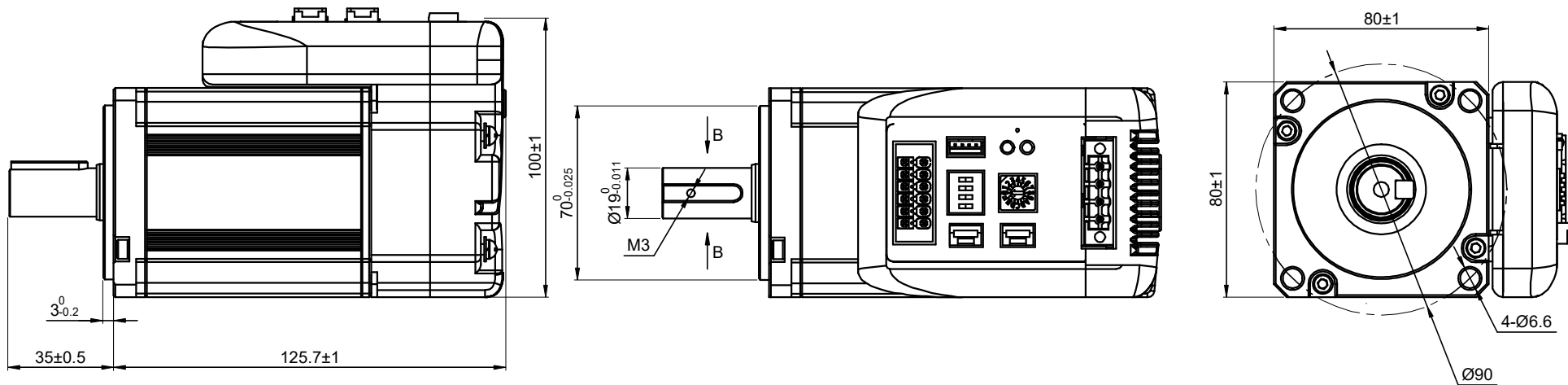


CUSTOMER'S MODEL: NO MODEL



SPECIFICATION	VALUE
POWER (Kw)	750
RATED TORQUE (Nm)	2.39
PEAK TORQUE (Nm)	7.71
RATED SPEED (RPM)	3000
PEAK SPEED (RPM)	3900
RATED VOLTAGE (VDC)	48
INERTIA (kg.cm ²)	2.52
INPUT VOLTAGE (V)	24~60
CONTINUOUS CURRENT (Arms)	19
PEAK CURRENT (A)	57
LOGIC SIGNAL CURRENT (mA)	10
ISOLATION RESISTANCE (MΩ)	100
PROTECTION LEVEL	IP54 FOR MOTOR/IP20 FOR DRIVE
WEIGHT (Kg) [lb]	1.25.[2.76]

THIS DOCUMENT SHALL NOT BE REPRODUCED NOR SHALL THE INFORMATION CONTAINED HEREIN BE USED BY OR DISCLOSED TO OTHERS UNLESS EXPRESSLY AUTHORIZED IN BY WRITING STEPPERONLINE.

DIMENSIONS ARE IN MILLIMETERS.
TOLERANCES AS BELOW:
DECIMALS ANGLES
X ±0.5 ±2°
X.X ±0.25
X.XX ±0.13

STEPPERONLINE®

SERVO MOTOR

iSV2-80TR-48V750A

THIRD ANGLE PROJECTION



SIGNATURE		DATE
DRN	HW	5.24.2024
APVD	LDJ	5.24.2024