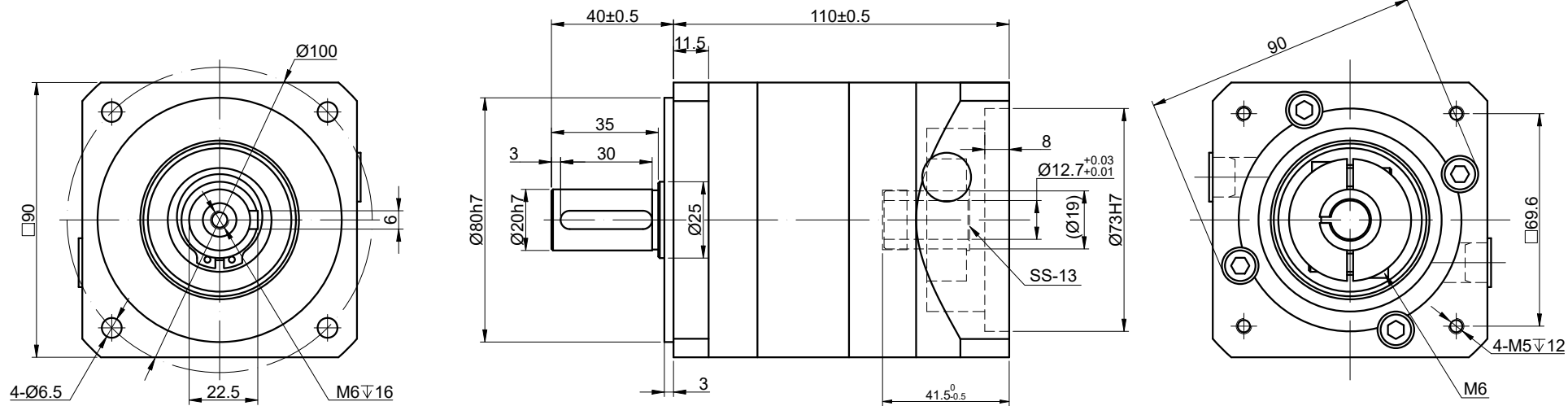


REV.	REVISION RECORD	BY	DATE
0	ORIGIN	HW	3.11.2024



NOTE: BY DEFAULT, GEAR BOX COMES WITH SS-13 SHAFT SLEEVE.

SPECIFICATION	CONNECTION	VALUE
GEAR RATIO		5
EFFICIENCY		96%
BACKLASH@NO-LOAD(arcmin)		<=15
MAX.PERMISSIBLE TORQUE(Nm)[lb-in]		90.00[796.57]
MOMENT PERMISSIBLE TORQUE(Nm)[lb-in]		180.00[1593.13]
SHAFT MAXIMUM AXIAL LOAD(N)		800
SHAFT MAXIMUM RADIAL LOAD(N)		1000
GEARBOX MATCHING MOTOR'S INPUT SHAFT LENGTH (mm)		22-41
RATED INPUT SPEED(RPM)		3000
MAX. INPUT SPEED(RPM)		6000
NOISE(dB)		<=65
WATERPROOF RATING		IP54
LIFE(h)		20000
WORKING TEMPERATURE		-20°C~-150°C[-4°F~302°F]

DIMENSIONS ARE IN MILLIMETERS. TOLERANCES AS BELOW: DECIMALS      ANGLES X            ±0.5            ±2° X.X        ±0.25 X.XX      ±0.13	
THIRD ANGLE PROJECTION	
SIGNATURE	DATE
DRN      HW	3.11.2024
APVD    LDJ	3.11.2024

<b>STEPPERONLINE®</b>			
<b>PLANETARY GEARBOX</b>			
<b>EG34-G5-D13</b>			
REV.	0	SCALE	1:2
DWG NO.	A2307		