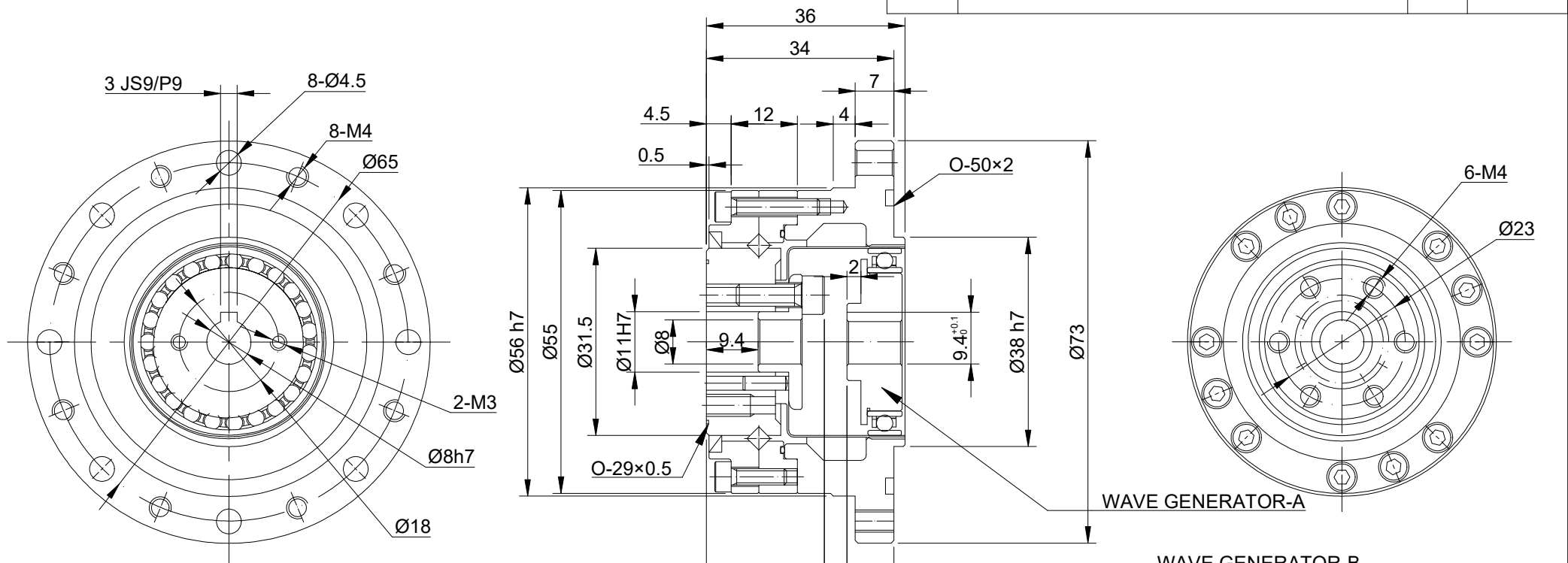


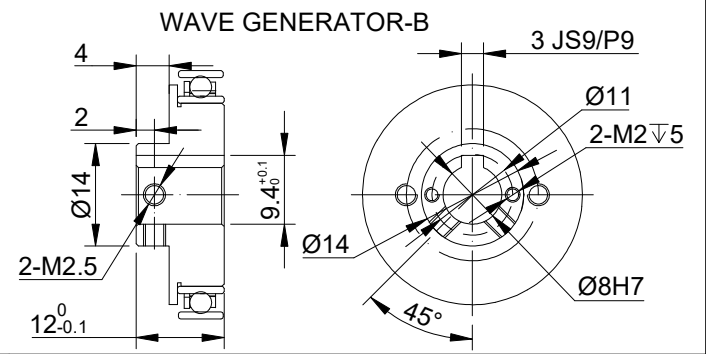
REV.	REVISION RECORD	BY	DATE
0	ORIGIN	ZPJ	12.17.2025



SPECIFICATION	CONNECTION	VALUE
GEAR RATIO		50
BACKLASH@NO-LOAD(arcsec)		<=20
RATED TORQUE(INPUT SPEED 2000RPM)(Nm)[lb-in]		5.40[47.79]
MOMENT PERMISSIBLE TORQUE(Nm)[lb-in]		35.00[309.78]
PEAK START-STOP TORQUE(Nm)[lb-in]		18.00[159.31]
MAXIMUM INPUT SPEED ALLOWED(RPM)		8500
AVERAGE INPUT SPEED ALLOWED(RPM)		3500
WEIGHT(kg)		0.51
LIFE(h)		10000
AMBIENT TEMPERATURE		0°C~40°C[32°F~104°F]

DIMENSIONS ARE IN MILLIMETERS.  
TOLERANCES AS BELOW:  
DECIMALS ANGLES  
X ±0.5 ±2°  
X.X ±0.25  
X.XX ±0.13

THIRD ANGLE PROJECTION	
SIGNATURE	DATE
DRN LDJ	12.23.2025
APVD ZPJ	12.23.2025



<b>STEPPERONLINE®</b>											
<b>HARMONIC REDUCER</b>											
<b>HSS-14-50-I-D8</b>											
REV.	0	SCALE	1:1	DWG NO.	A3318	REV.	0	SCALE	1:1	DWG NO.	A3318