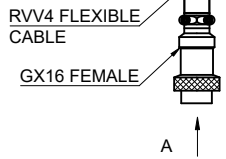
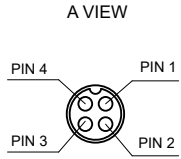
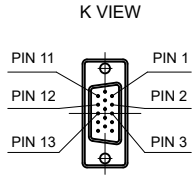
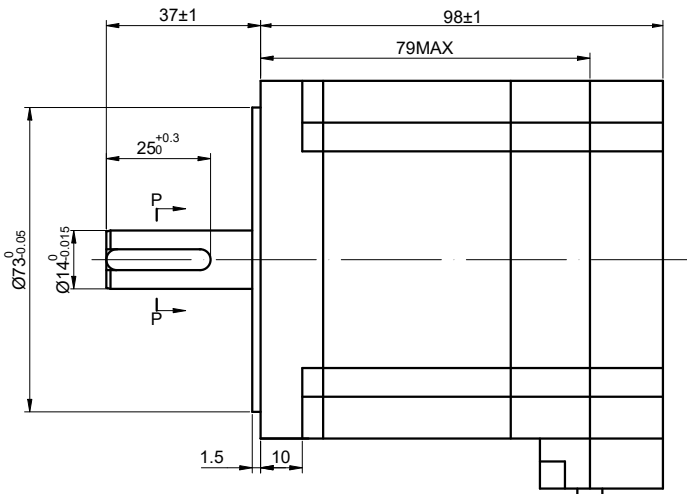
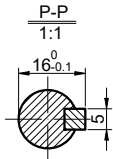
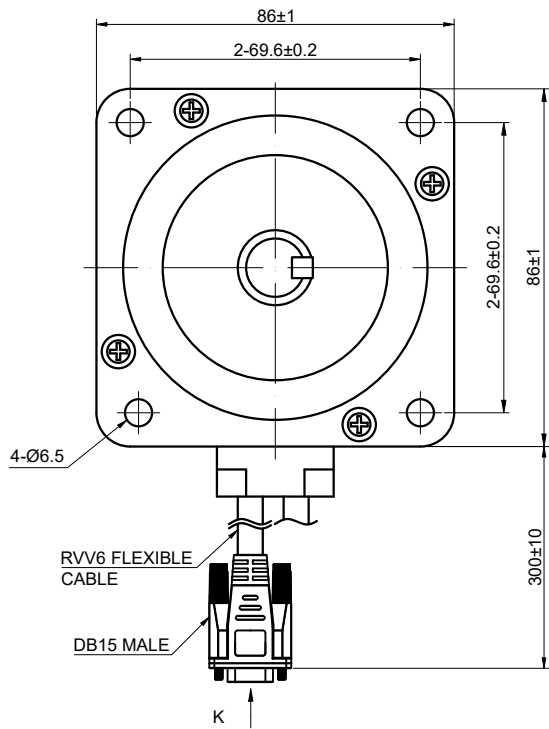


REV.	REVISION RECORD	BY	DATE
0	ORIGIN	LDJ	6.20.2023

CUSTOMER'S MODEL: NO MODEL
END COVER COLOR: BLACK



ENCODER RESOLUTION: 1000PPR(4000CPR)

15-PIN DB MALE PLUG	1	2	3	11	12	13
LEAD COLOR	BLK	RED	WHT	YEL	GRN	BLU
DESCRIPTION	EA+	VCC	GND	EB+	EB-	EA-

SPECIFICATION	CONNECTION	BIPOLAR
AMPS/PHASE		6.00
RESISTANCE/PHASE(Ohms)@25°C		0.30±10%
INDUCTANCE/PHASE(mH)@1KHz		2.10±20%
HOLDING TORQUE(Nm)[lb-in]		4.30[38.06]
STEP ANGLE(°)		1.80±5.00%
STEP ACCURACY(NON-ACCUM)		±5.00%
ROTOR INERTIA(g-cm ²)		1400
WEIGHT(Kg)		2.5
AMBIENT TEMPERATURE		-10°C~50°C[14°F~122°F]
INSULATION CLASS		B 130°C[266°F]
TEMPERATURE RISE		MAX.80°C

COMMENT:
1.DYNAMIC AXIAL LOAD: 15N MAX
2.DYNAMIC RADIAL LOAD @ SHAFT LENGTH 20mm: 75N MAX
3.TMBF 6000h OR MORE @ 24V/300RPM
4.INSULATION RESISTANCE (NORMAL TEMPERATURE AND HUMIDITY): 100 Mohm
5.DIELECTRIC STRENGTH 500VAC FOR 1MIN.(BETWEEN THE MOTOR COILS AND THE MOTOR CASE)

STEP	A+	B+	A-	B-	CCW	CW
1	+	+	-	-	↓	↑
2	-	+	+	-	↓	↑
3	-	-	+	+	↓	↑
4	+	-	-	+	↓	↑

DIMENSIONS ARE IN MILLIMETERS.
TOLERANCES AS BELOW:
DECIMALS ANGLES
X ±0.5 ±2°
X.X ±0.25
X.XX ±0.13
THIRD ANGLE PROJECTION

MOTOR CONNECTION		
PIN NO	BIPOLAR	WINDING
1	A+	
2	A-	
3	B+	
4	B-	

STEPPERONLINE®

STEPPER MOTOR

34HS31-6004D-E1000

SIGNATURE		DATE
DRN	LDJ	6.20.2023
APVD	-	-