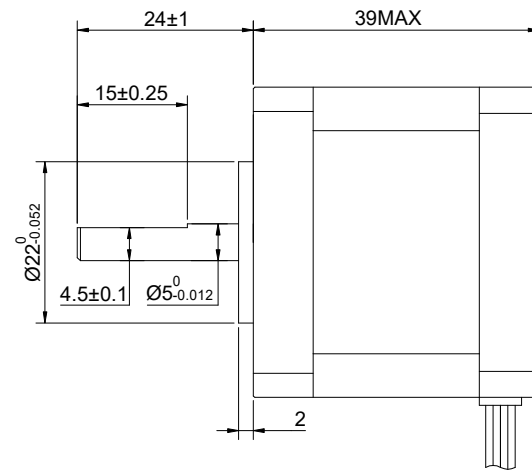
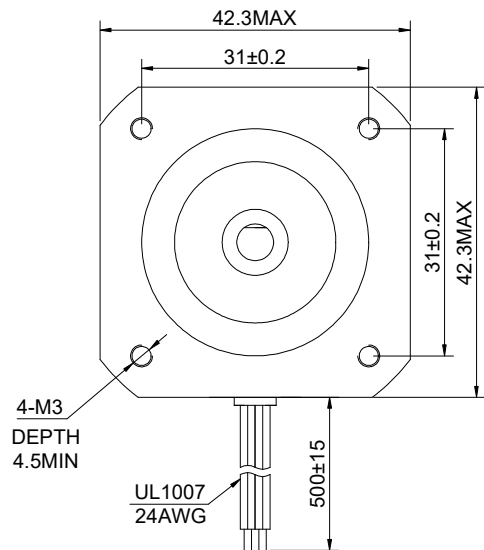


CUSTOMER'S MODEL: NO MODEL
 END COVER COLOR: BLACK

| REV. | REVISION RECORD | BY | DATE |
|------|-----------------|-----|-----------|
| 0 | ORIGIN | LDJ | 7.30.2025 |



| MOTOR CONNECTION | | | |
|------------------|---------|-------|---------|
| PIN NO | BIPOLAR | LEADS | WINDING |
| 1 | A+ | BLK | |
| 2 | A- | GRN | |
| 3 | B+ | RED | |
| 4 | B- | BLU | |

| CONNECTION | BIPOLAR |
|-----------------------------|------------------------|
| SPECIFICATION | |
| AMPS/PHASE | 1.68 |
| RESISTANCE/PHASE(Ohms)@25°C | 1.70±10% |
| INDUCTANCE/PHASE(mH)@1KHz | 4.60±20% |
| HOLDING TORQUE(Nm)[lb-in] | 0.32[2.83] |
| STEP ANGLE(°) | 0.90 |
| STEP ACCURACY(NON-ACCUM) | ±5.00% |
| ROTOR INERTIA(g-cm²) | 54.00 |
| WEIGHT(Kg)[lb] | — |
| AMBIENT TEMPERATURE | -10°C~50°C[14°F~122°F] |
| INSULATION CLASS | B 130°C[266°F] |
| TEMPERATURE RISE | MAX.80°C |

COMMENT:
 1.DYNAMIC AXIAL LOAD: 10N MAX
 2.DYNAMIC RADIAL LOAD @ SHAFT LENGTH 20mm: 21N MAX
 3.TMBF 6000h OR MORE @ 24V/300RPM
 4.INSULATION RESISTANCE (NORMAL TEMPERATURE AND HUMIDITY): 100 Mohm
 5.DIELECTRIC STRENGTH 500VAC FOR 1MIN.(BETWEEN THE MOTOR COILS AND THE MOTOR CASE)

| FULL STEP 2 PHASE-Ex.,WHEN FACING MOUNTING END (X) | | | | | | DIMENSIONS ARE IN MILLIMETERS. | | |
|--|----|----|----|----|--|--------------------------------|----------------------|------------|
| STEP | A+ | B+ | A- | B- | | CCW | TOLERANCES AS BELOW: | |
| 1 | + | + | - | - | | | DECIMALS | |
| 2 | - | + | + | - | | | ANGLES | X ±0.5 ±2° |
| 3 | - | - | + | + | | | X.X ±0.25 | |
| 4 | + | - | - | + | | | X.XX ±0.13 | |

THIS DOCUMENT SHALL NOT BE REPRODUCED NOR SHALL THE INFORMATION CONTAINED HEREIN BE USED BY OR DISCLOSED TO OTHERS UNLESS EXPRESSLY AUTHORIZED IN BY WRITING STEPPERONLINE.

| SIGNATURE | | DATE |
|-----------|-----|-----------|
| DRN | LDJ | 7.30.2025 |
| APVD | MYX | 8.1.2025 |

STEPPERONLINE®

STEPPER MOTOR

17HM15-1684S

| | | | | | |
|------|---|-------|-----|---------|-------|
| REV. | 0 | SCALE | 1:1 | DWG NO. | A0516 |
|------|---|-------|-----|---------|-------|