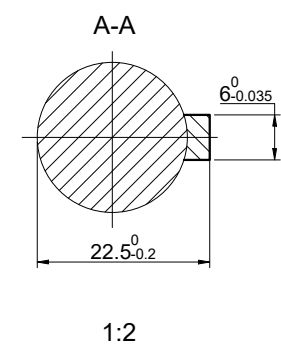
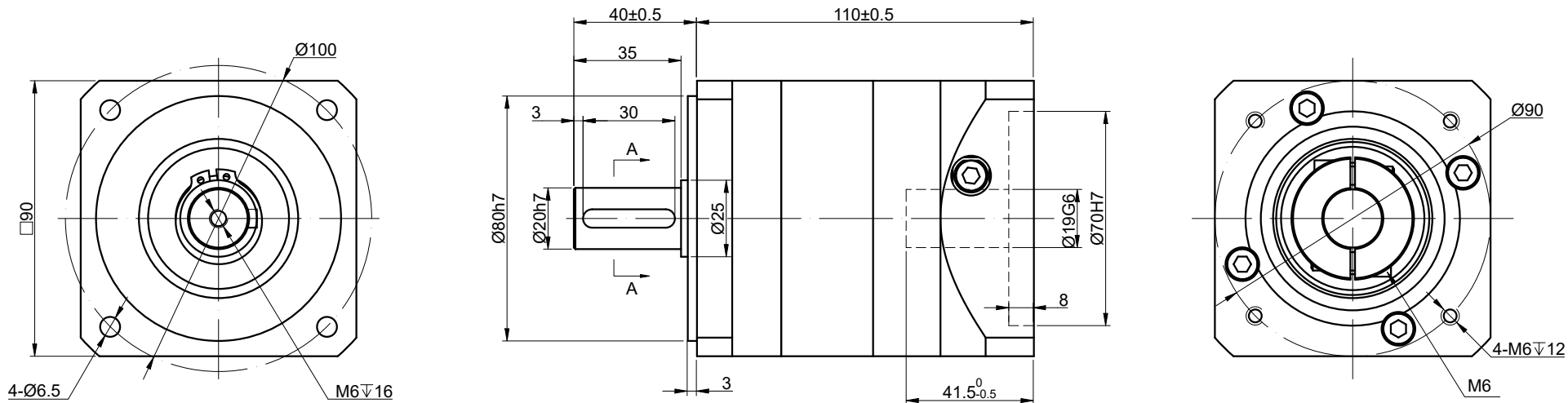


REV.	REVISION RECORD	BY	DATE
0	ORIGIN	LJ	8.4.2025



SPECIFICATION	CONNECTION	VALUE
GEAR RATIO		5
EFFICIENCY		96%
BACKLASH@NO-LOAD(arcmin)		≤ 10
MAX.PERMISSIBLE TORQUE(Nm)[lb-in]		90.00[796.57]
MOMENT PERMISSIBLE TORQUE(Nm)[lb-in]		180.00[1593.13]
SHAFT MAXIMUM AXIAL LOAD(N)		800
SHAFT MAXIMUM RADIAL LOAD(N)		1000
GEARBOX MATCHING MOTOR'S INPUT SHAFT LENGTH (mm)		24~41
RATED INPUT SPEED(RPM)		3000
MAX. INPUT SPEED(RPM)		6000
NOISE(dB)		≤ 55
WATERPROOF RATING		IP54
LIFE(h)		20000
WORKING TEMPERATURE		$-20^{\circ}\text{C} \sim 150^{\circ}\text{C} [-4^{\circ}\text{F} \sim 302^{\circ}\text{F}]$

DIMENSIONS ARE IN MILLIMETERS.
 TOLERANCES AS BELOW:
 DECIMALS ANGLES
 X ± 0.5 $\pm 2^{\circ}$
 X.X ± 0.25
 X.XX ± 0.13

THIRD ANGLE PROJECTION

SIGNATURE DATE

DRN LJ 8.4.2025

APVD MYX 8.4.2025

STEPPERONLINE®

GEARBOX

TG90-G5

REV.	1	SCALE	1:2	DWG NO.	A2130
------	---	-------	-----	---------	-------