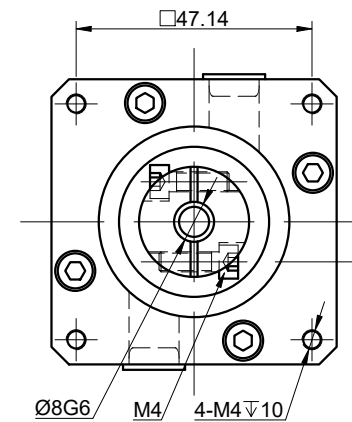
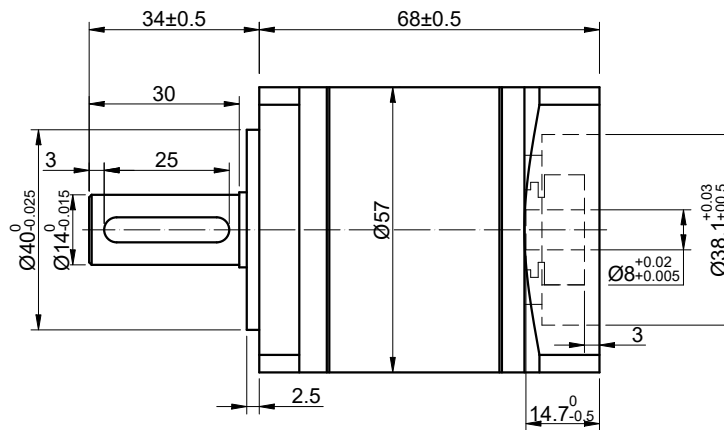
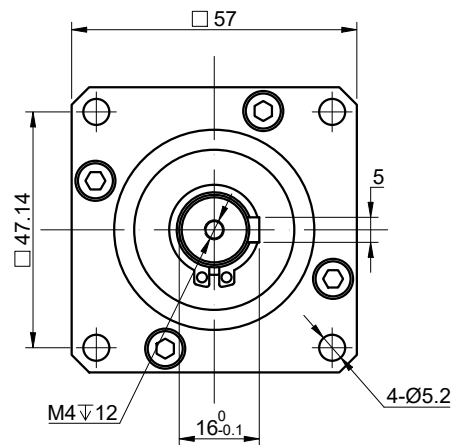


REV.	REVISION RECORD	BY	DATE
0	ORIGIN	MYX	3.3.2025



SPECIFICATION	CONNECTION	VALUE
GEAR RATIO		50
EFFICIENCY		80%
BACKLASH@NO-LOAD(arcmin)		<=45
MAX.PERMISSIBLE TORQUE(Nm)[lb-in]		20.00[177.01]
MOMENT PERMISSIBLE TORQUE(Nm)[lb-in]		40.00[354.02]
SHAFT MAXIMUM AXIAL LOAD(N)		200
SHAFT MAXIMUM RADIAL LOAD(N)		400
GEARBOX MATCHING MOTOR'S INPUT SHAFT LENGTH (mm)		8-14
RATED INPUT SPEED(RPM)		1000
MAX. INPUT SPEED(RPM)		2000
NOISE(dB)		<=55
WATERPROOF RATING		IP54
LIFE(h)		20000
WORKING TEMPERATURE		-20°C~150°C[-4°F~302°F]

DIMENSIONS ARE IN MILLIMETERS.  
TOLERANCES AS BELOW:  
DECIMALS      ANGLES  
X                ±0.5            ±2°  
X.X            ±0.25  
X.XX          ±0.13

THIRD ANGLE  
PROJECTION



SIGNATURE		DATE
DRN	MYX	3.3.2025
APVD	LJ	3.3.2025

**STEPPERONLINE®**

**PLANETARY GEARBOX**

**MG23-G50-D8**

REV.	0	SCALE	1:1	DWG NO.	A1912
------	---	-------	-----	---------	-------