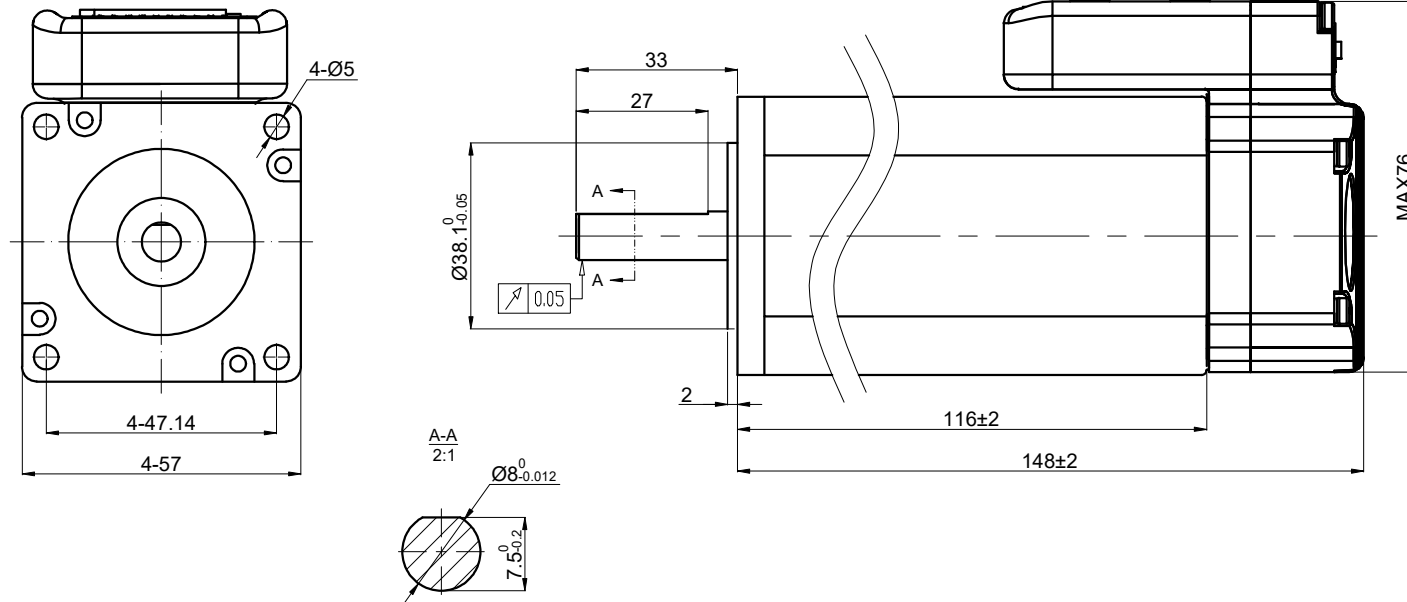


CUSTOMER'S MODEL: NO MODEL



SPECIFICATION	VALUE
POWER (W)	180
RATED TORQUE (Nm)	0.6
PEAK TORQUE (Nm)	1.1
RATED SPEED (RPM)	3000±10%
PEAK SPEED (RPM)	4000±10%
RATED VOLTAGE (VDC)	36
INERTIA (kg.cm ²)	524
INPUT VOLTAGE (V)	20~50
RATED CURRENT(A)	7.5
CONTINUOUS CURRENT(Arms)	0.65
LOGIC SIGNAL CURRENT (mA)	10
ISOLATION RESISTANCE (MΩ)	100
PROTECTION LEVEL	IP54 FOR MOTOR/IP20 FOR DRIVE
WEIGHT (Kg) [lb]	1.54[3.40]

<p>THIS DOCUMENT SHALL NOT BE REPRODUCED NOR SHALL THE INFORMATION CONTAINED HEREIN BE USED BY OR DISCLOSED TO OTHERS UNLESS EXPRESSLY AUTHORIZED IN BY WRITING STEPPERONLINE.</p>			<p>DIMENSIONS ARE IN MILLIMETERS. TOLERANCES AS BELOW: DECIMALS ANGLES X ±0.5 ±2° X.X ±0.25 X.XX ±0.13</p>				
			SIGNATURE		DATE		
THIRD ANGLE PROJECTION		DRN	HW	6.27.2024	<p>STEPPERONLINE®</p> <p>SERVO MOTOR</p> <p>iSV57T-180</p>		
		APVD	LDJ	6.28.2024			

REV.	0	SCALE	1:1.5	DWG NO.	A1869
------	---	-------	-------	---------	-------