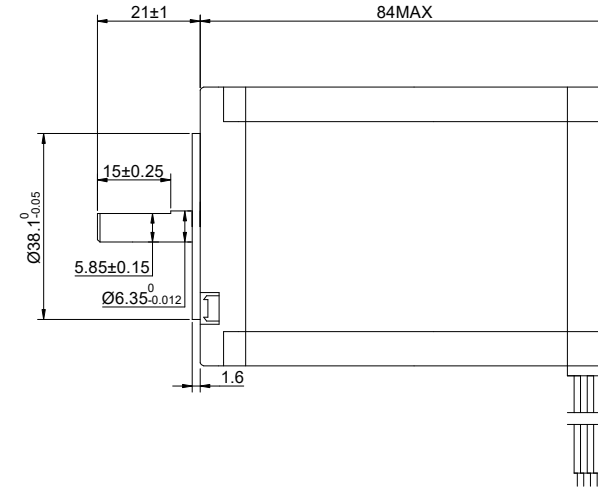
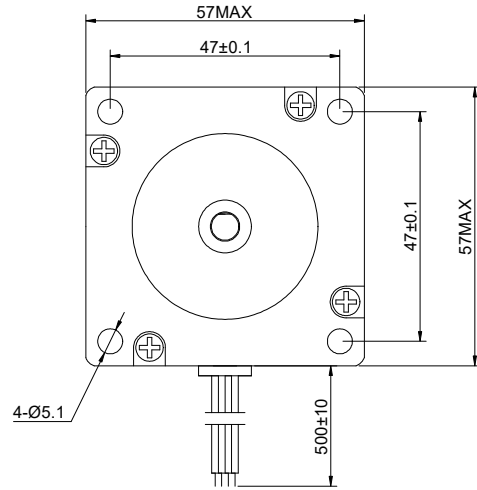


CUSTOMER'S MODEL: NO MODEL
END COVER COLOR: GRAY

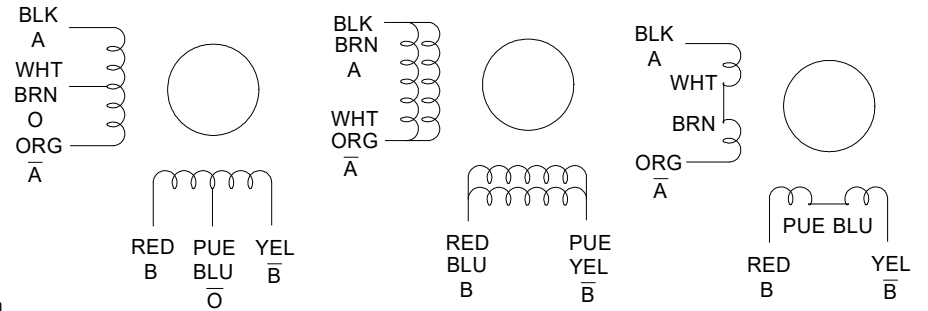
REV.	REVISION RECORD	BY	DATE
0	ORIGIN	YSX	7.30.2025



STEPPER MOTOR
23HS33-4008S
S/N: XXXXXXXXXXXX



UNIPOLAR BIPOLAR PARALLEL BIPOLAR SERIES



CONNECTION	UNIPOLAR	BIPOLAR (SERIAL)	BIPOLAR (PARALLEL)
AMPS/PHASE	4.00	2.83	5.66
RESISTANCE/PHASE(Ohms)@25°C	0.80±10%	1.60±10%	0.40±10%
INDUCTANCE/PHASE(mH)@1KHz	1.80±20%	7.20±20%	1.80±20%
HOLDING TORQUE(Nm)[lb-in]	2.00[17.70]	2.83[25.05]	2.83[25.05]

COMMENT:
1.TMBF 6000h OR MORE @ 24V/300RPM
2.INSULATION RESISTANCE (NORMAL TEMPERATURE AND HUMIDITY): 100 Mohm
3.DIELECTRIC STRENGTH 500VAC FOR 1MIN.(BETWEEN THE MOTOR COILS AND THE MOTOR CASE)

STEP ANGLE(°)	1.80
STEP ACCURACY(NON-ACCUM)	±5.00%
ROTOR INERTIA(g-cm²)	530.00
WEIGHT(Kg)[lb]	—
AMBIENT TEMPERATURE	-10°C~50°C[14°F~122°F]
INSULATION CLASS	B 130°C[266°F]
TEMPERATURE RISE	MAX.80°C

FULL STEP 2 PHASE-Ex.,WHEN FACING MOUNTING END (X)				
STEP	A+	B+	A-	B-
1	+	+	-	-
2	-	+	+	-
3	-	-	+	+
4	+	-	-	+

DIMENSIONS ARE IN MILLIMETERS.
TOLERANCES AS BELOW:
DECIMALS ANGLES
X ±0.5 ±2°
X.X ±0.25
X.XX ±0.13

THIRD ANGLE PROJECTION

STEPPERONLINE®

STEPPER MOTOR

23HS33-4008S

THIS DOCUMENT SHALL NOT BE REPRODUCED NOR SHALL THE INFORMATION CONTAINED HEREIN BE USED BY OR DISCLOSED TO OTHERS UNLESS EXPRESSLY AUTHORIZED IN BY WRITING STEPPERONLINE.

SIGNATURE		DATE
DRN	YSX	7.30.2025
APVD	LJ	7.30.2025

REV.	0	SCALE	2:3	DWG NO.	A1278
------	---	-------	-----	---------	-------