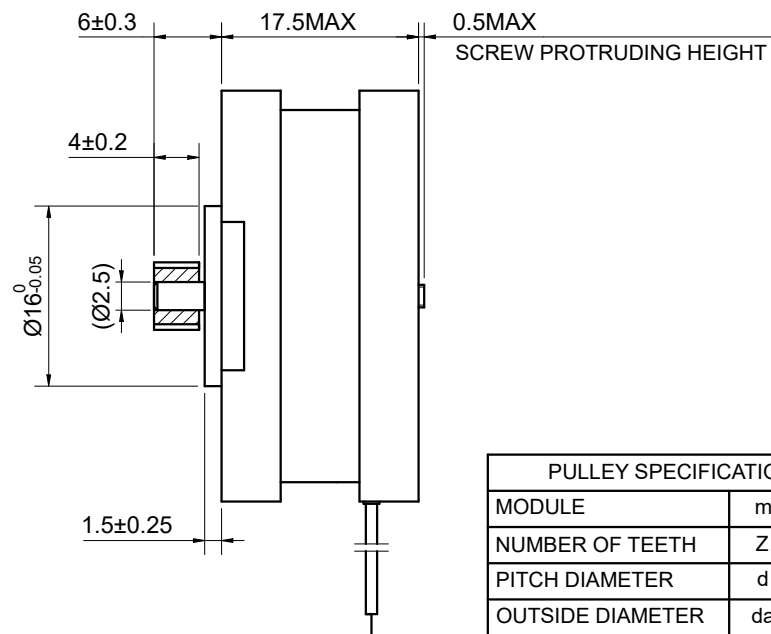
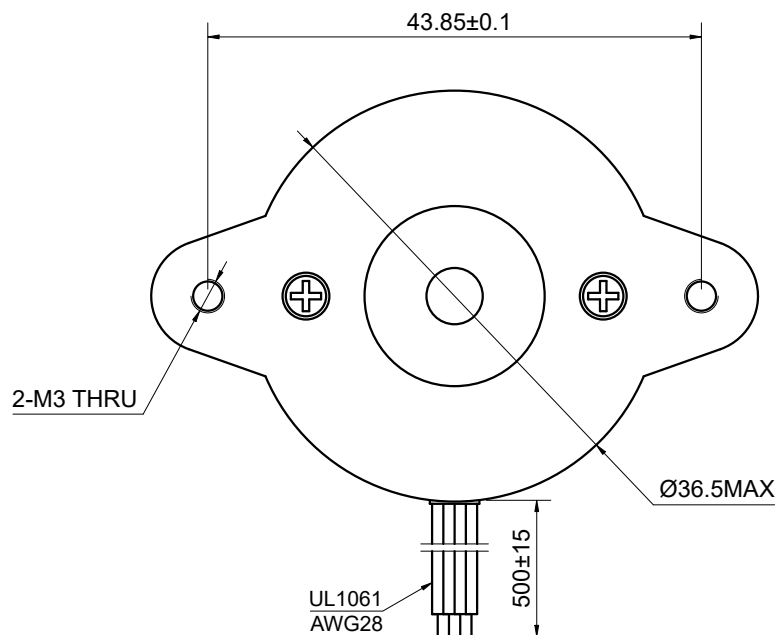


CUSTOMER'S MODEL: NO MODEL
 END COVER COLOR: GREY

REV.	REVISION RECORD	BY	DATE
0	ORIGIN	ZPJ	8.1.2025



PULLEY SPECIFICATIONS		
MODULE	m	0.5
NUMBER OF TEETH	Z	10
PITCH DIAMETER	d	Ø5
OUTSIDE DIAMETER	da	Ø6
PRESSURE ANGLE	α	20°
MATERIAL		H59

SPECIFICATION	CONNECTION	BIPOLAR
AMPS/PHASE		1.00
RESISTANCE/PHASE(Ohms)@25°C		3.90±10%
INDUCTANCE/PHASE(mH)@1KHz		2.00±20%
HOLDING TORQUE(Nm)[lb-in]		0.09[0.80]
STEP ANGLE(°)		0.90
STEP ACCURACY(NON-ACCUM)		±5.00%
ROTOR INERTIA(g-cm ²)		6
WEIGHT(Kg)[lb]		--
AMBIENT TEMPERATURE		-10°C~50°C[14°F~122°F]
INSULATION CLASS		B 130°C[266°F]
TEMPERATURE RISE		MAX.80°C

COMMENT:
 1.DYNAMIC AXIAL LOAD: 6.5N MAX
 2.DYNAMIC RADIAL LOAD @ SHAFT LENGTH 20mm: 14N MAX
 3.TMBF 6000h OR MORE @ 24V/300RPM
 4.INSULATION RESISTANCE (NORMAL TEMPERATURE AND HUMIDITY): 100 Mohm
 5.DIELECTRIC STRENGTH 500VAC FOR 1MIN.(BETWEEN THE MOTOR COILS AND THE MOTOR CASE)

STEPPER MOTOR
 14HR07-1004VRN
 S/N: XXXXXXXXXXXX



MOTOR CONNECTION			
PIN NO	BIPOLAR	LEADS	WINDING
1	A+	RED	
2	A-	GRN	
3	B+	BLK	
4	B-	BLU	

FULL STEP 2 PHASE-Ex.,WHEN FACING MOUNTING END (X)						DIMENSIONS ARE IN MILLIMETERS.		
STEP	A+	B+	A-	B-		CCW	TOLERANCES AS BELOW:	
1	+	+	-	-			DECIMALS	
2	-	+	+	-			X ±0.5	ANGLES
3	-	-	+	+			X.X ±0.25	±2°
4	+	-	-	+			X.XX ±0.13	

STEPPERONLINE®

STEPPER MOTOR

14HR07-1004VRN

THIS DOCUMENT SHALL NOT BE REPRODUCED NOR SHALL THE INFORMATION CONTAINED HEREIN BE USED BY OR DISCLOSED TO OTHERS UNLESS EXPRESSLY AUTHORIZED IN BY WRITING STEPPERONLINE.

SIGNATURE		DATE
DRN	ZPJ	8.1.2025
APVD	LDJ	8.1.2025