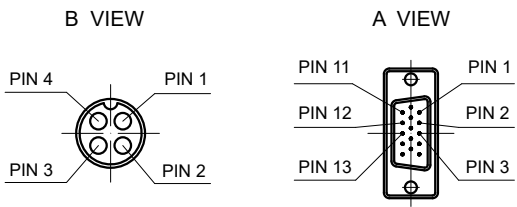
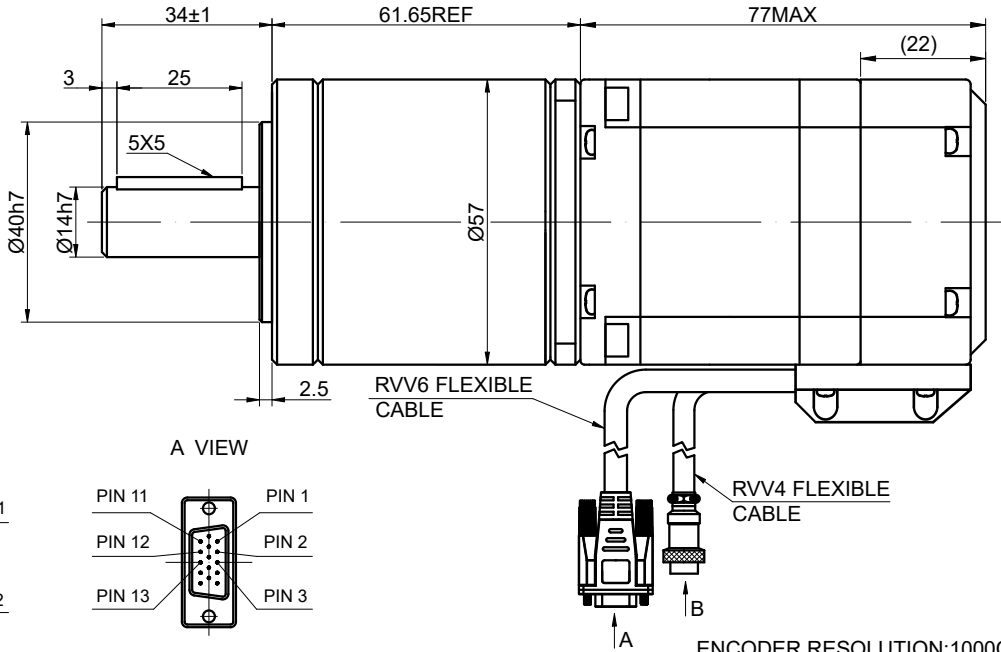
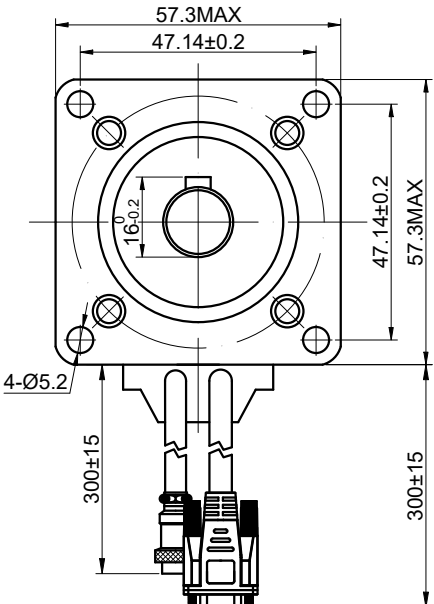


CUSTOMER'S MODEL: NO MODEL  
 END COVER COLOR: BLACK

REV.	REVISION RECORD	BY	DATE
0	ORIGIN	MYX	12.16.2024



ENCODER RESOLUTION: 1000CPR

15-PIN DB MALE PLUG	1	2	3	11	12	13
DESCRIPTION	EA+	VCC	GND	EB+	EB-	EA-

CONNECTION	BIPOLAR
AMPS/PHASE	4.00
RESISTANCE/PHASE(Ohms)@25°C	0.45±10%
INDUCTANCE/PHASE(mH)@1KHz	1.30±20%
HOLDING TORQUE w/o GEARBOX(Nm)[lb-in]	1.20[10.63]
STEP ANGLE w/o GEARBOX(°)	1.80
GEAR RATIO	20
GEAR EFFICIENCY	75.00%REF
BACKLASH@NO-LOAD(°)	1.6
MAX.PERMISSIBLE TORQUE(Nm)	20.00
MOMENT PERMISSIBLE TORQUE(Nm)	40.00
AMBIENT TEMPERATURE	-10°C~50°C[14°F~122°F]
INSULATION CLASS	B 130°C[266°F]
TEMPERATURE RISE	MAX.80°C

COMMENT:  
 1.TMBF 6000h OR MORE @ 24V/300RPM  
 2.INSULATION RESISTANCE (NORMAL TEMPERATURE AND HUMIDITY): 100 Mohm  
 3.DIELECTRIC STRENGTH 500VAC FOR 1MIN.(BETWEEN THE MOTOR COILS AND THE MOTOR CASE )

MOTOR CONNECTION			
PIN NO	BIPOLAR	LEADS	WINDING
1	A+	-	
2	A-	-	
3	B+	-	
4	B-	-	

FULL STEP 2 PHASE-Ex.,WHEN FACING MOUNTING END (X)						DIMENSIONS ARE IN MILLIMETERS. TOLERANCES AS BELOW:	
STEP	A+	B+	A-	B-		CCW	DECIMALS
1	+	+	-	-			ANGLES ±2°
2	-	+	+	-			X ±0.5
3	-	-	+	+			X.X ±0.25
4	+	-	-	+			X.XX ±0.13

**STEPPERONLINE®**

**STEPPER MOTOR**

**23HS22-HG20-E1000**

REV.	0	SCALE	1:1	DWG NO.	A1196
------	---	-------	-----	---------	-------

SIGNATURE		DATE
DRN	MYX	12.16.2024
APVD	ZPJ	12.16.2024