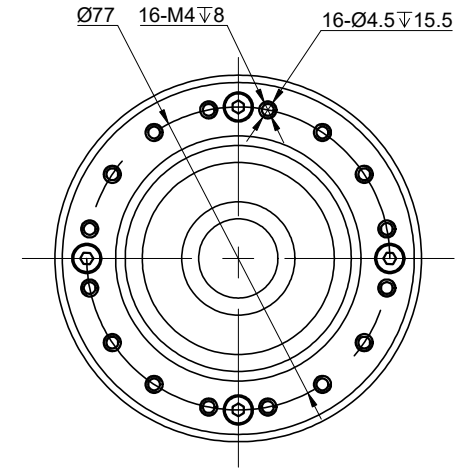
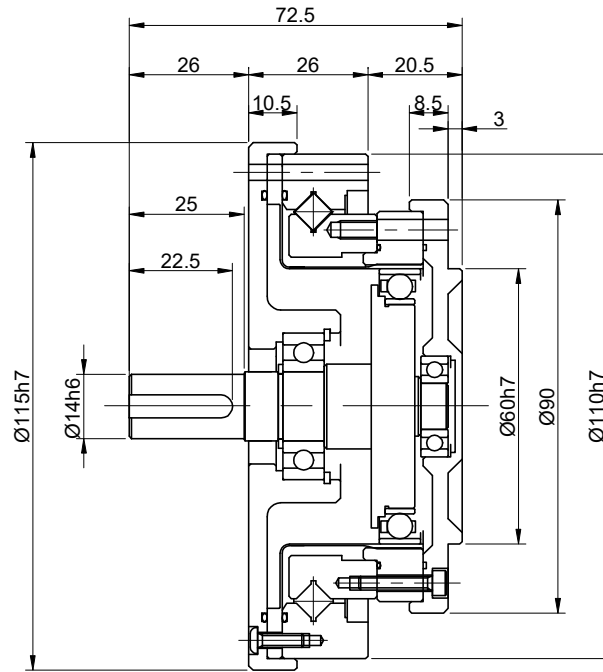
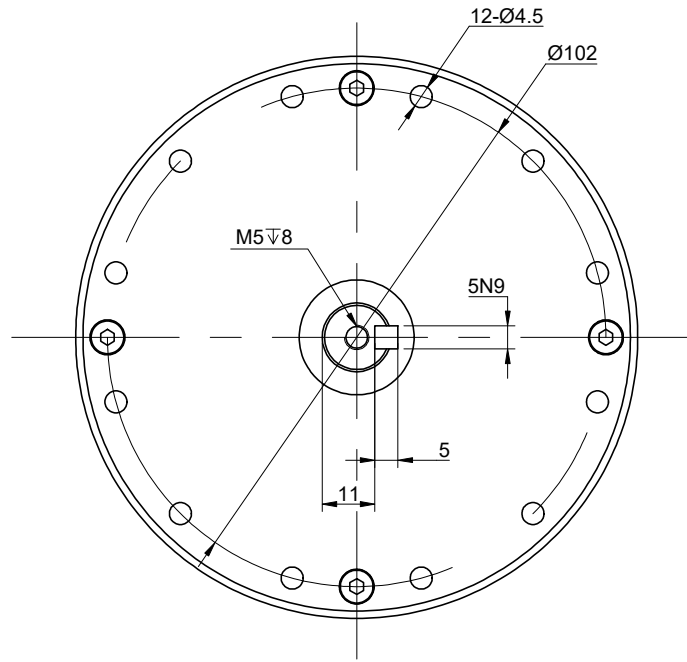


REV.	REVISION RECORD	BY	DATE
0	ORIGIN	LDJ	6.12.2024



SPECIFICATION	CONNECTION	VALUE
GEAR RATIO		50
BACKLASH@NO-LOAD(arcsec)		<=20
RATED TORQUE(INPUT SPEED 2000RPM)(Nm)[lb-in]		39.00[345.18]
MOMENT PERMISSIBLE TORQUE(Nm)[lb-in]		186.00[1646.24]
PEAK START-STOP TORQUE(Nm)[lb-in]		98.00[867.37]
MAXIMUM INPUT SPEED ALLOWED(RPM)		5600
AVERAGE INPUT SPEED ALLOWED(RPM)		3500
WEIGHT(kg)		1.99
LIFE(h)		10000
AMBIENT TEMPERATURE		0°C~40°C[32°F~104°F]

DIMENSIONS ARE IN MILLIMETERS.
TOLERANCES AS BELOW:
DECIMALS ANGLES
X ±0.5 ±2°
X.X ±0.25
X.XX ±0.13

THIRD ANGLE PROJECTION		
SIGNATURE		DATE
DRN	LDJ	6.12.2024
APVD	HW	6.12.2024

STEPPERONLINE®

HARMONIC REDUCER

HHT-25-50-IV-D14

REV.	0	SCALE	2:3	DWG NO.	A3357
------	---	-------	-----	---------	-------