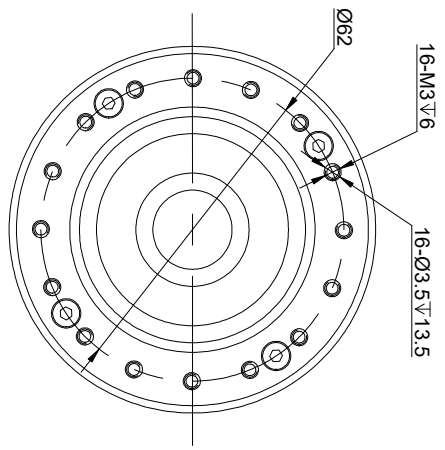
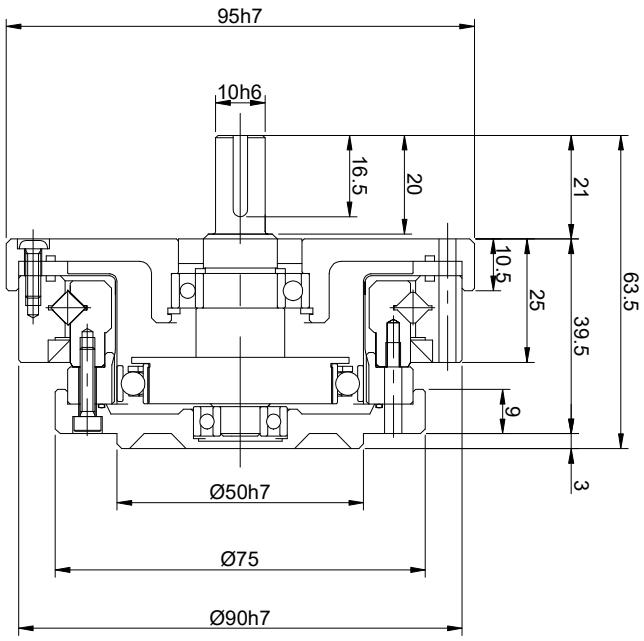
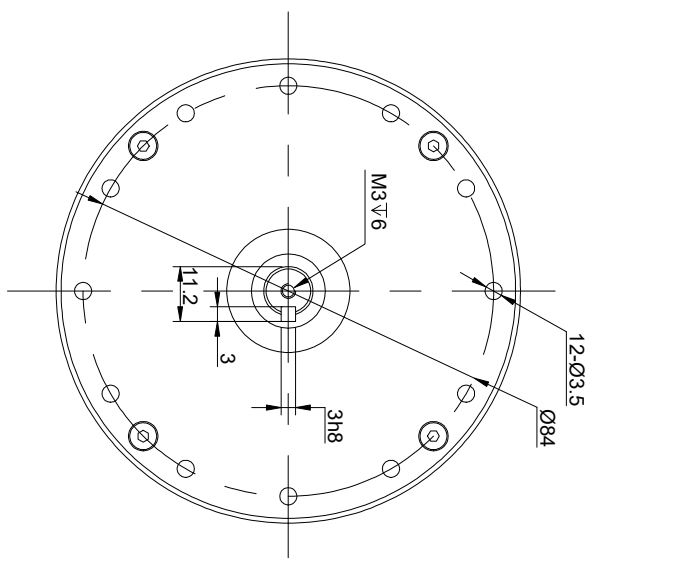


REV.	REVISION RECORD	BY	DATE
0	ORIGIN	LDJ	12.17.2025



SPECIFICATION	CONNECTION	VALUE
GEAR RATIO		50
BACKLASH@NO-LOAD(arcsec)		<=20
RATED TORQUE(INPUT SPEED 2000RPM)(Nm)[lb-in]		33.00[292.07]
MOMENT PERMISSIBLE TORQUE(Nm)[lb-in]		127.00[1124.05]
PEAK START-STOP TORQUE(Nm)[lb-in]		73.00[646.10]
MAXIMUM INPUT SPEED ALLOWED(RPM)		6500
AVERAGE INPUT SPEED ALLOWED(RPM)		3500
WEIGHT(kg)		1.29
LIFE(h)		10000
AMBIENT TEMPERATURE		0°C~40°C[32°F~104°F]

DIMENSIONS ARE IN MILLIMETERS.  
 TOLERANCES AS BELOW:  
 DECIMALS ANGLES  
 X ±0.25 ±2°  
 X.X ±0.13  
 X.XX ±0.13

THIRD ANGLE PROJECTION

SIGNATURE	DATE
DRN LDJ	12.17.2025
APVD ZPJ	12.17.2025

**STEPPERONLINE®**

**HARMONIC REDUCER**

HHT-20-50-IV-D10

REV.	SCALE	DWG NO.
0	2:3	A3353