



■ Features :

- Universal AC input / Full range
- Protections: Short circuit / Overload / Over voltage
- Battery low and battery polarity protection
- Cooling by free air convection
- 100% full load burn-in test
- Fixed switching frequency at PFC 67KHz, PWM 134KHz
- 2 years warranty

■ GTIN CODE

MW Search: <https://www.meanwell.com/serviceGTIN.aspx>

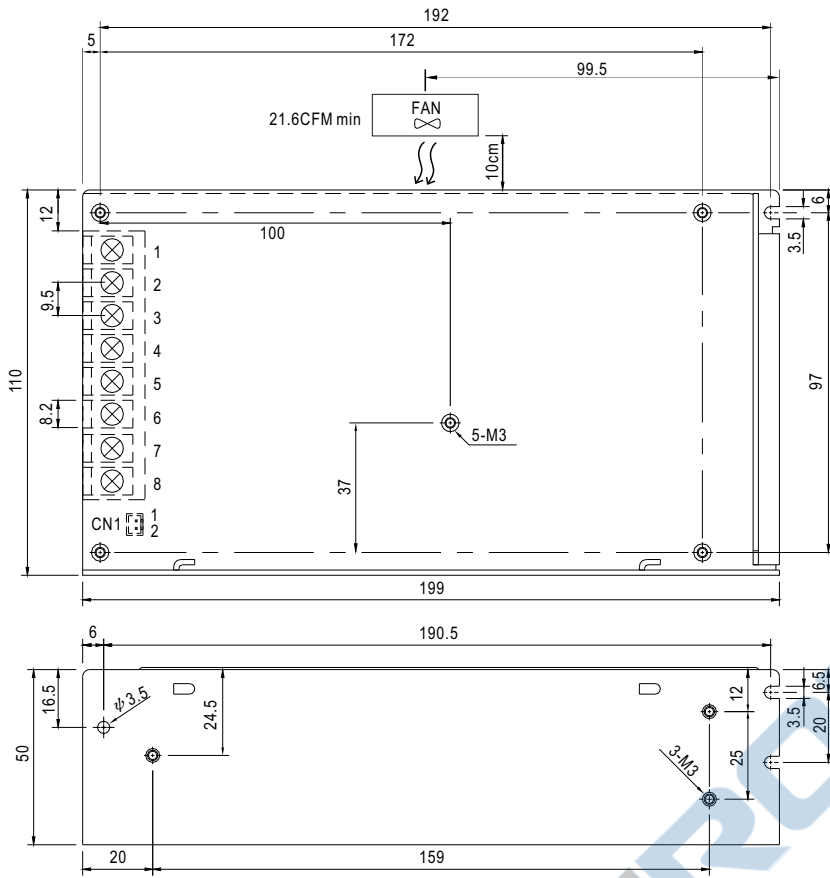


SPECIFICATION

| MODEL                 | AD-155A   |  | AD-155B                          |   | AD-155C  |                      |          |
|-----------------------|---|--|----------------------------------|---|----------|----------------------|----------|
| OUTPUT                | OUTPUT NUMBER   | CH1  | CH2                              | CH1   | CH2      | CH1                  | CH2      |
|                       | DC VOLTAGE  | 13.8V  | 13.3V                            | 27.6V   | 27.1V    | 54V                  | 53.5V    |
|                       | RATED CURRENT   | 10.5A  | 0.5A                             | 5A  | 0.5A     | 2.7A                 | 0.2A     |
|                       | CURRENT RANGE   | 0 ~ 11.5A  | 0 ~ 0.5A                         | 0 ~ 5.5A                                      | 0 ~ 0.5A | 0 ~ 2.7A             | 0 ~ 0.5A |
|                       | RATED POWER   | 151.55W  |                                  | 151.55W                                       |          | 156.5W               |          |
|                       | RIPPLE & NOISE (max.) Note.2  | 150mVp-p   |                                  | 150mVp-p                                      |          | 240mVp-p             |          |
|                       | VOLTAGE ADJ. RANGE  | CH1: 12 ~ 14.5V  |                                  | CH1: 24 ~ 29V                                 |          | CH1: 48 ~ 58V        |          |
|                       | VOLTAGE TOLERANCE Note.3  | ±2.0%  |                                  | ±1.0%   |          | ±1.0%                |          |
|                       | LINE REGULATION   | ±0.5%  |                                  | ±0.5%   |          | ±0.5%                |          |
|                       | LOAD REGULATION   | ±0.5%  |                                  | ±0.5%   |          | ±0.5%                |          |
| SETUP, RISE TIME      | 1000ms, 90ms/230VAC   |  | 2000ms, 90ms/115VAC at full load |   |          |                      |          |
| HOLD UP TIME (Typ.)   | 24ms/230VAC   |  | 20ms/115VAC at full load         |   |          |                      |          |
| INPUT                 | VOLTAGE RANGE   | 88 ~ 264VAC  |                                  | 124 ~ 370VDC                                  |          |                      |          |
|                       | FREQUENCY RANGE   | 47 ~ 63Hz  |                                  |   |          |                      |          |
|                       | POWER FACTOR (Typ.)   | PF>0.92 at full load   |                                  |   |          |                      |          |
|                       | EFFICIENCY (Typ.)   | 80%  |                                  | 84%   |          | 84%                  |          |
|                       | AC CURRENT (Typ.)   | 2.5A/115VAC  |                                  | 1.5A/230VAC                                   |          |                      |          |
|                       | INRUSH CURRENT (Typ.)   | COLD START 23A/115VAC  |                                  | 45A/230VAC                                    |          |                      |          |
|                       | LEAKAGE CURRENT   | <1mA / 240VAC  |                                  |   |          |                      |          |
| PROTECTION            | OVERLOAD  | CH1:105 ~ 135%   |                                  | CH2:0.51 ~ 0.9A rated output power            |          |                      |          |
|                       |   | Protection type : AC Charging Mode : Constant current limiting, recovers automatically after fault condition is removed<br>UPS Mode : Protected by internal fuse |                                  |   |          |                      |          |
|                       | OVER VOLTAGE  | CH1:15.87 ~ 18.63V   |                                  | CH1:31.74 ~ 37.26V                            |          | CH1:62.1 ~ 72.9V     |          |
|                       | Protection type : Shut down o/p voltage, re-power on to recover   |  |                                  |   |          |                      |          |
| BATTERY LOW           | 10V±0.8V  |  | 19.5V(+1.5V,-1V)                 |   | 39V±2V   |                      |          |
| ENVIRONMENT           | WORKING TEMP.   | -10 ~ +60°C (Refer to "Derating Curve")  |                                  |   |          |                      |          |
|                       | WORKING HUMIDITY  | 20 ~ 90% RH non-condensing   |                                  |   |          |                      |          |
|                       | STORAGE TEMP., HUMIDITY   | -20 ~ +85°C, 10 ~ 95% RH   |                                  |   |          |                      |          |
|                       | TEMP. COEFFICIENT   | ±0.03%/°C (0 ~ 50°C)   |                                  |   |          |                      |          |
|                       | VIBRATION   | 10 ~ 500Hz, 2G 10min./1cycle, 60min. each along X, Y, Z axes   |                                  |   |          |                      |          |
| SAFETY & EMC (Note 4) | SAFETY STANDARDS  | UL62368-1, TUV BS EN/EN62368-1, AS/NZS 62368.1, EAC TP TC 004 approved   |                                  |   |          |                      |          |
|                       | WITHSTAND VOLTAGE   | I/P-O/P:3KVAC  |                                  | I/P-FG:2KVAC                                  |          | O/P-FG:0.5KVAC       |          |
|                       | ISOLATION RESISTANCE  | I/P-O/P, I/P-FG, O/P-FG:100M Ohms / 500VDC / 25°C/ 70% RH  |                                  |   |          |                      |          |
|                       | EMC EMISSION  | Compliance to BS EN/EN55032 (CISPR32) Class B, BS EN/EN61000-3-2,-3, EAC TP TC 020   |                                  |   |          |                      |          |
|                       | EMC IMMUNITY  | Compliance to BS EN/EN61000-4-2,3,4,5,6,8,11, BS EN/EN55024, light industry level, EAC TP TC 020   |                                  |   |          |                      |          |
| OTHERS                | MTBF  | 1818.3K hrs min.   |                                  | Telcordia SR-332 (Bellcore) ; 229.9K hrs min. |          | MIL-HDBK-217F (25°C) |          |
|                       | DIMENSION   | 199*110*50mm (L*W*H)   |                                  |   |          |                      |          |
|                       | PACKING   | 0.88Kg; 16pcs/15Kg/0.95CUFT  |                                  |   |          |                      |          |
| NOTE                  | <p>1. All parameters NOT specially mentioned are measured at 230VAC input, rated load and 25°C of ambient temperature.</p> <p>2. Ripple &amp; noise are measured at 20MHz of bandwidth by using a 12" twisted pair-wire terminated with a 0.1uf &amp; 47uf parallel capacitor.</p> <p>3. Tolerance : includes set up tolerance, line regulation and load regulation.</p> <p>4. The power supply is considered a component which will be installed into a final equipment. All the EMC tests are been executed by mounting the unit on a 360mm*360mm metal plate with 1mm of thickness. The final equipment must be re-confirmed that it still meets EMC directives. For guidance on how to perform these EMC tests, please refer to "EMI testing of component power supplies." (as available on <a href="http://www.meanwell.com">http://www.meanwell.com</a>)</p> <p>5. The ambient temperature derating of 3.5°C/1000m with fanless models and of 5°C/1000m with fan models for operating altitude higher than 2000m(6500ft).</p> <p>※ Product Liability Disclaimer : For detailed information, please refer to <a href="https://www.meanwell.com/serviceDisclaimer.aspx">https://www.meanwell.com/serviceDisclaimer.aspx</a></p> |  |                                  |   |          |                      |          |

**Mechanical Specification**

Case No. 906 Unit:mm



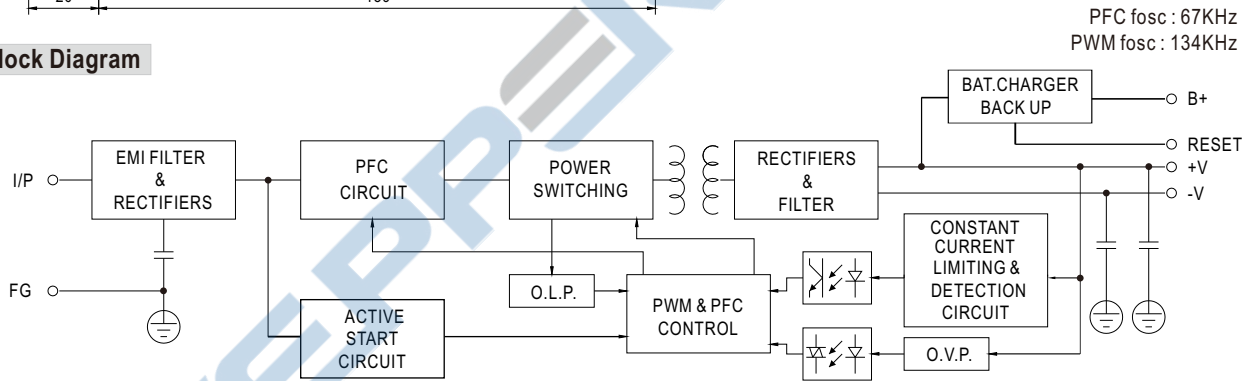
**Terminal Pin No. Assignment**

| Pin No. | Assignment | Pin No. | Assignment    |
|---------|------------|---------|---------------|
| 1       | AC/L       | 5       | BAT. +        |
| 2       | AC/N       | 6       | BAT. -/COM    |
| 3       | FG $\perp$ | 7       | DC OUTPUT COM |
| 4       | NC         | 8       | DC OUTPUT +V  |

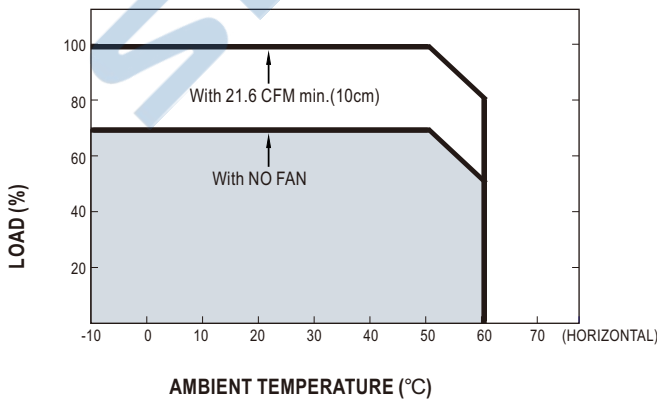
**CN1 Pin No. Assignment :JST B2B-XH or equivalent**

| Pin No. | Assignment | Mating Housing        | Terminal          |
|---------|------------|-----------------------|-------------------|
| 1       | RESET SW   | JST XHP or equivalent | JST SXH-001T-P0.6 |
| 2       |            |                       | or equivalent     |

**Block Diagram**



**Derating Curve**



**Output Derating VS Input Voltage (A)**

