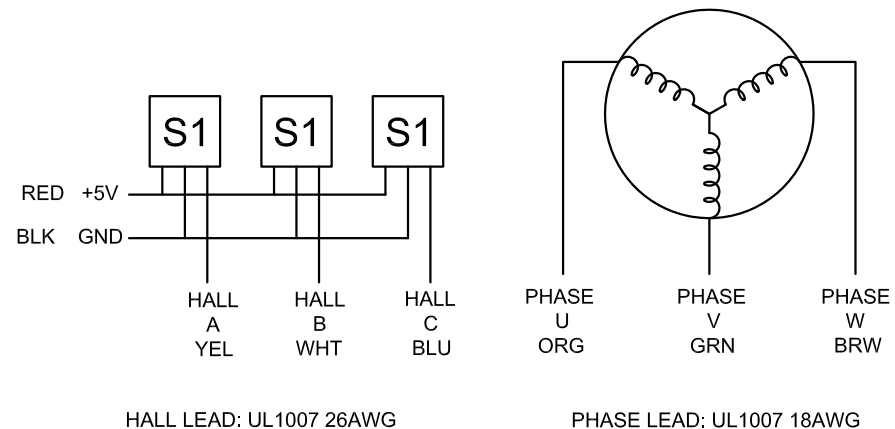


SPECIFICATION	VALUE
NO. of PHASES	3
NO. of POLES	4
RATED VOLTAGE(V)	24
RATED CURRENT(A)	14.0±10%
RATED POWER(W)	220
RATED SPEED w/o GEARBOX(RPM)	3500±10%
RATED TORQUE w/o GEARBOX(mN.m)	600
GEAR RATIO	50
EFFICIENCY	82.00%REF
SENSOR	HALL SENSOR
INSULATION CLASS	CLASS B
INSULATION RESISTANCE	100MΩ MIN @ 500VDC
DIELECTRIC STRENGTH TEST	500VDC for 1 MINUTE
BEARING TYPE	NMB BALL BEARING, C3



**STEPPERONLINE**®

	APVD		6.4.2020
	CHKD		
1.5:1	DRN		
SCALE	SIGNATURE		DATE

**BRUSHLESS DC MOTOR**

**57BLR90-24-01-HG50**