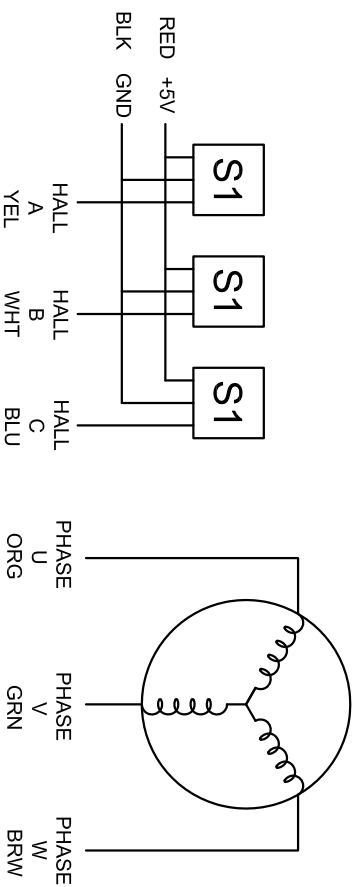


SPECIFICATION

VALUE

NO. of PHASES	3
NO. of POLES	4
RATED VOLTAGE(V)	24
RATED CURRENT(A)	14.0±10%
RATED POWER(W)	220
RATED SPEED w/o GEARBOX(RPM)	3500±10%
RATED TORQUE w/o GEARBOX(mN.m)	600
GEAR RATIO	100
EFFICIENCY	90.00%REF
SENSOR	HALL SENSOR
INSULATION CLASS	CLASS B
INSULATION RESISTANCE	100MΩ MIN @ 500VDC
DIELECTRIC STRENGTH TEST	500VDC for 1 MINUTE
BEARING TYPE	NMB BALL BEARING, C3



HALL LEAD: UL1007 26AWG

PHASE LEAD: UL1007 18AWG

STAPP **IRONLINE**®

SCALE

1.5:1

SIGNATURE

DATE

APVD 6.4.2020

CHKD

DRN

BRUSHLESS DC MOTOR

57BLR90-24-01-HG100