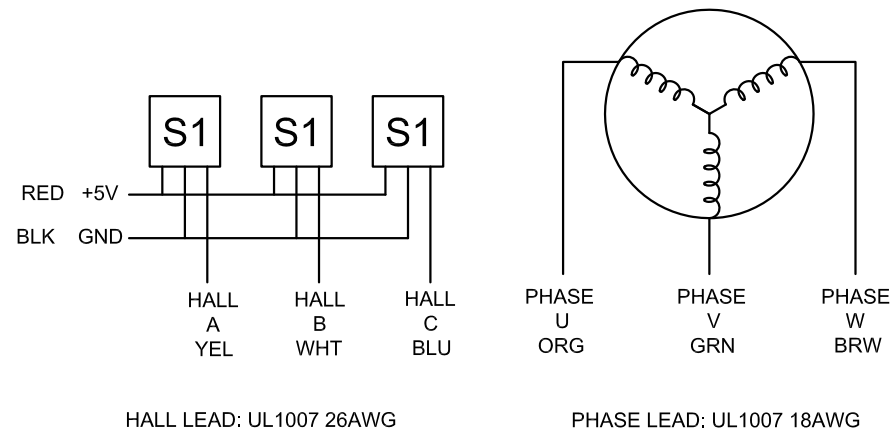


| SPECIFICATION                  | VALUE                |
|--------------------------------|----------------------|
| NO. of PHASES                  | 3                    |
| NO. of POLES                   | 4                    |
| RATED VOLTAGE(V)               | 24                   |
| RATED CURRENT(A)               | 10.4±10%             |
| RATED POWER(W)                 | 172                  |
| RATED SPEED w/o GEARBOX(RPM)   | 3500±10%             |
| RATED TORQUE w/o GEARBOX(mN.m) | 470                  |
| GEAR RATIO                     | 100                  |
| EFFICIENCY                     | 90.00%REF            |
| SENSOR                         | HALL SENSOR          |
| INSULATION CLASS               | CLASS B              |
| INSULATION RESISTANCE          | 100MΩ MIN @ 500VDC   |
| DIELECTRIC STRENGTH TEST       | 500VDC for 1 MINUTE  |
| BEARING TYPE                   | NMB BALL BEARING, C3 |



**STEPPERONLINE**<sup>®</sup>

|       |           |  |          |
|-------|-----------|--|----------|
|       | APVD      |  | 6.4.2020 |
|       | CHKD      |  |          |
| 1.5:1 | DRN       |  |          |
| SCALE | SIGNATURE |  | DATE     |

**BRUSHLESS DC MOTOR**

**57BLR70-24-02-HG100**