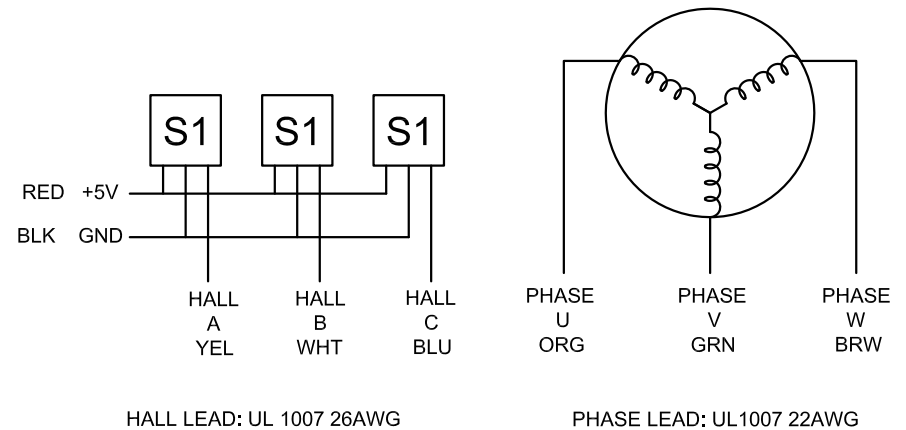


| SPECIFICATION | VALUE |
|--------------------------|----------------------|
| NO. of PHASES | 3 |
| NO. of POLES | 4 |
| RATED VOLTAGE(V) | 36 |
| RATED CURRENT(A) | 1±10% |
| RATED POWER(W) | 25 |
| RATED SPEED(RPM) | 4400±10% |
| RATED TORQUE(mN.m) | 55 |
| HALL LEAD STYLE | UL 1007 AWG26 |
| PHASE LEAD STYLE | UL 1007 AWG22 |
| SENSOR | HALL SENSOR |
| INSULATION CLASS | CLASS B |
| INSULATION RESISTANCE | 100MΩ MIN @ 500VDC |
| DIELECTRIC STRENGTH TEST | 500VAC for 1 MINUTE |
| BEARING TYPE | NMB BALL BEARING, C3 |



STEPPERONLINE
Motors & Electronics

| | | | |
|-------|-----------|------|--|
| | APVD | | |
| | CHKD | | |
| 1.5:1 | DRN | | |
| SCALE | SIGNATURE | DATE | |

BRUSHLESS DC MOTOR

57BLR43-36-01