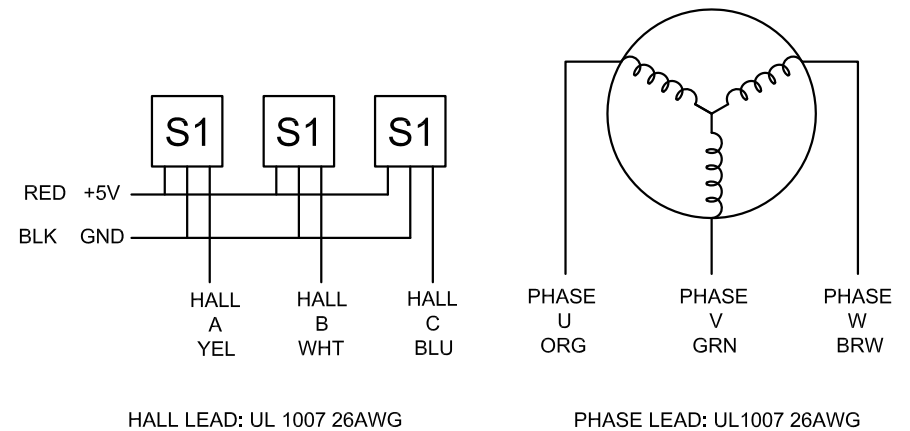


SPECIFICATION	VALUE
NO. of PHASES	3
NO. of POLES	4
RATED VOLTAGE(V)	24
RATED CURRENT(A)	0.75±10%
RATED POWER(W)	10
RATED SPEED(RPM)	5000±10%
RATED TORQUE(mN.m)	19
NO LOAD CURRENT(A)	0.17
NO LOAD SPEED(RPM)	7500
SENSOR	HALL SENSOR
INSULATION CLASS	CLASS B
INSULATION RESISTANCE	100MΩ MIN @ 500VDC
DIELECTRIC STRENGTH TEST	500VAC for 1 MINUTE
BEARING TYPE	NMB BALL BEARING, C3



**STEPPERONLINE**  
 Motors & Electronics

	APVD		
	CHKD		
1.5:1	DRN		
SCALE	SIGNATURE	DATE	

**BRUSHLESS DC MOTOR**

**36BLR40-24-01**