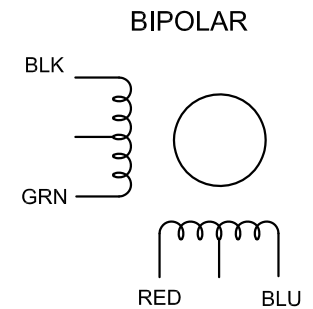
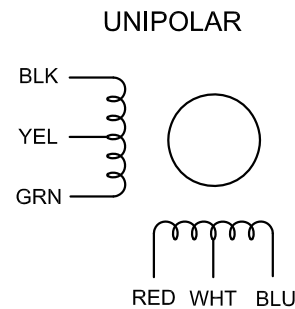


SPECIFICATION	CONNECTION	
	UNIPOLAR	BIPOLAR
AMPS/PHASE	3.00	2.12
RESISTANCE/PHASE(Ohms)@25°C	1.00±10%	2.00±10%
INDUCTANCE/PHASE(mH)@1KHz	1.60±20%	6.40±20%
HOLDING TORQUE(Nm)[lb-in]	1.35[11.95]	1.90[16.82]
STEP ANGLE(°)	1.80	
STEP ACCURACY(NON-ACCUM)	±5.00%	
ROTOR INERTIA(g-cm <sup>2</sup> )	480.00	
WEIGHT(Kg)[lb]	1.00[2.20]	
TEMPERATURE RISE:MAX.80°C (MOTOR STANDSTILL;FOR 2PHASE ENERGIZED )		
AMBIENT TEMPERATURE -10°C~50°C[14°F~122°F]		
INSULATION RESISTANCE 100 Mohm (UNDER NORMAL TEMPERATURE AND HUMIDITY )		
INSULATION CLASS B 130°C[266°F]		
DIELECTRIC STRENGTH 500VAC FOR 1MIN.(BETWEEN THE MOTOR COILS AND THE MOTOR CASE)		
AMBIENT HUMIDITY MAX.85%(NO CONDENSATION)		

STEP	A	B	$\bar{A}$	$\bar{B}$	O( $\bar{O}$ )	CW
1	+	+			+	
2		+	+		+	
3			+	+	+	
4	+			+	+	
1	+	+			+	



**STEPPERONLINE®**

APVD		8.18.2018
CHKD		
1:1.5	DRN	
SCALE	SIGNATURE	DATE

**STEPPER MOTOR**

**23HS30-3006D**