

Nema 17 Stepper Motor

Rev: A

Date:

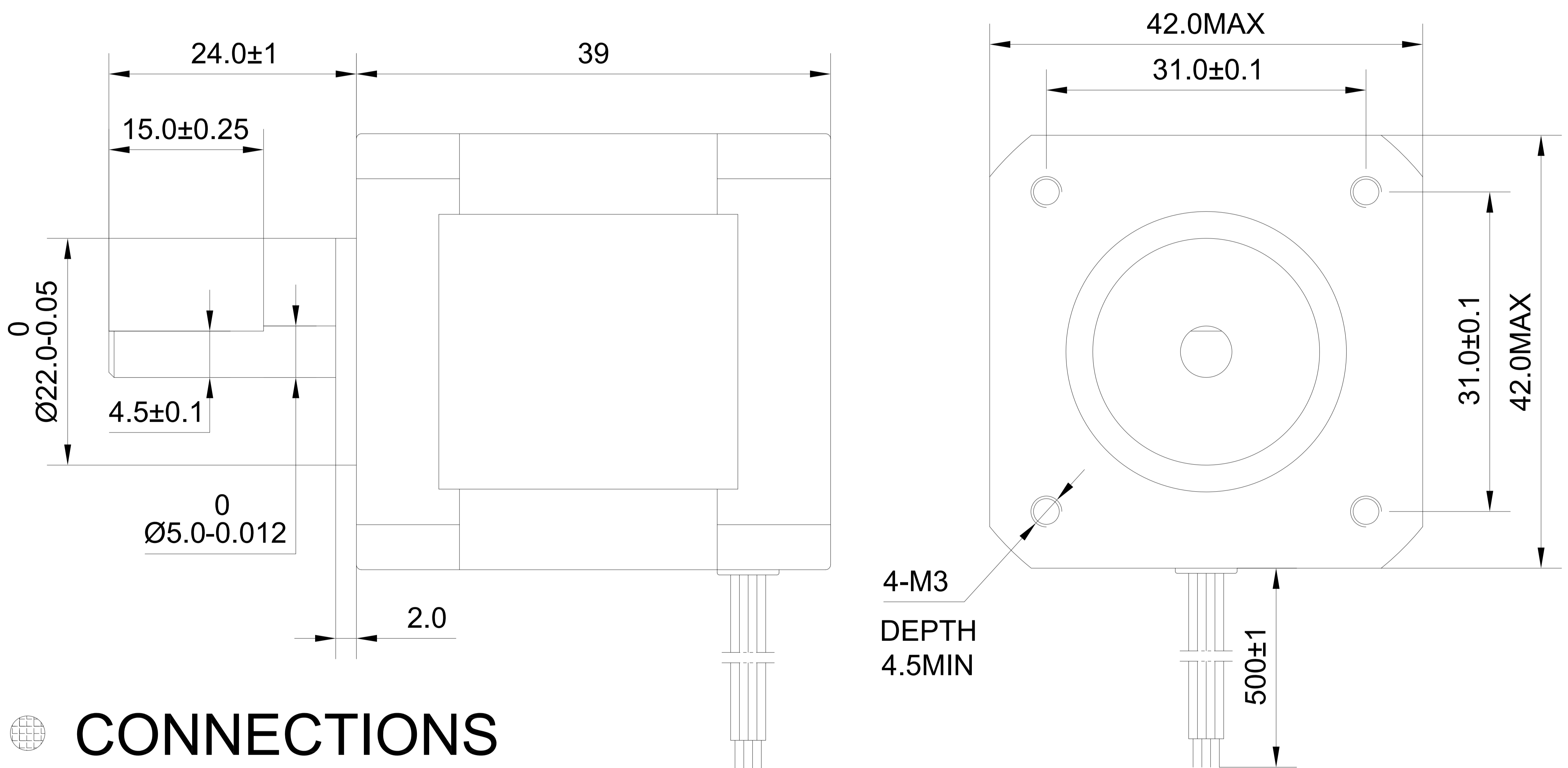
COMMON RATINGS

| | | | |
|-----------------------|--------------------|-------------------------|-----------------|
| Step angle : | 1.8° | Dielectric strength : | 500VAC |
| Positional accuracy : | ±5% | Insulation resistance : | 100Mohm(500VDC) |
| Number of Phase : | 4 | Ambient Temperature : | -10°C~50°C |
| Temperature rise : | 80°C MAX | Insulation class : | B |
| Rotor Inertia : | 54gcm ² | Weight : | 0.28Kg |

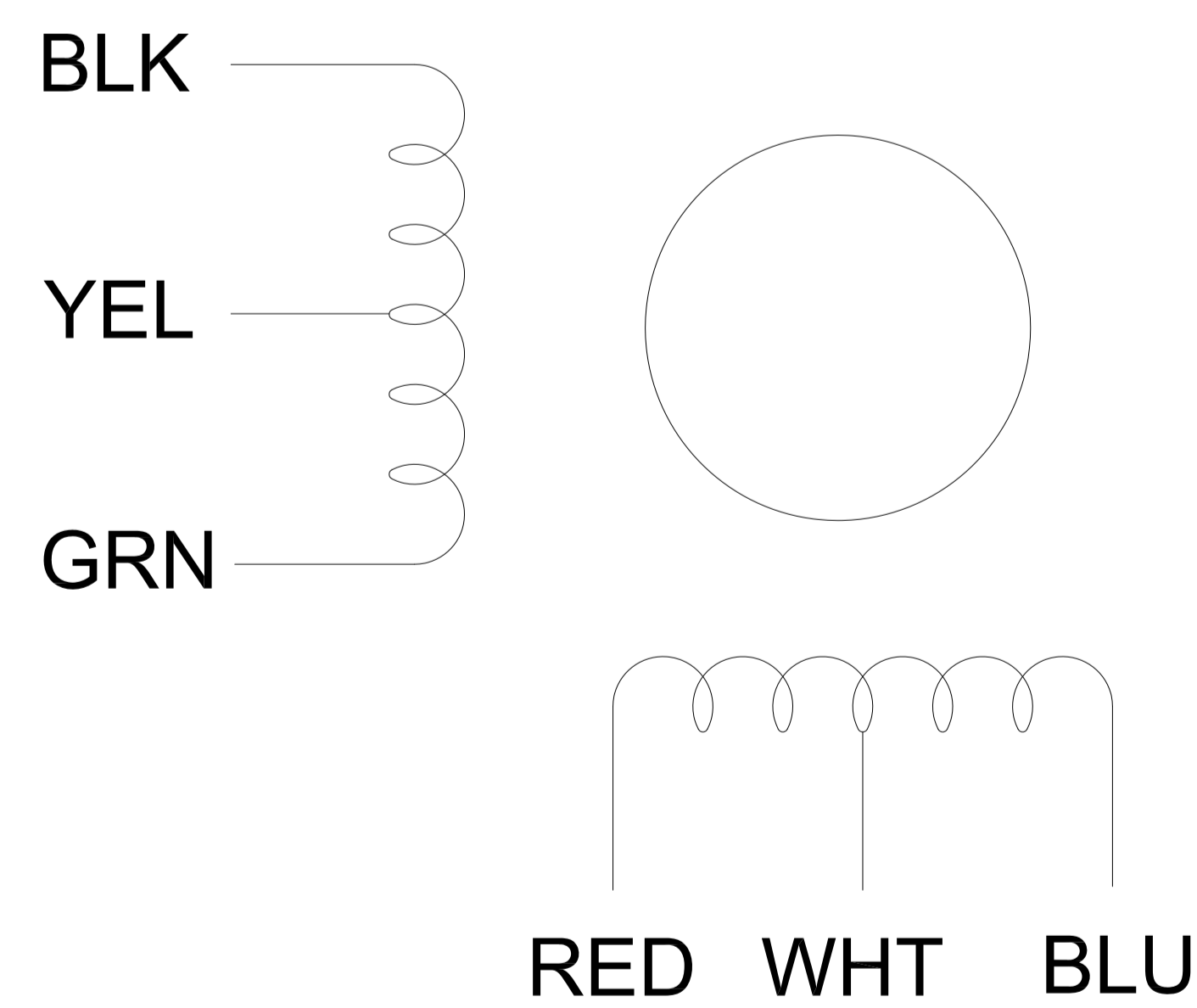
SPECIFICATIONS

| Holding Torque (2 phases on) Kg.cm | Rated Current/Phase (Amps DC) | Phase Resistance (ohms) ±10% | Voltage Current/Phase (V DC) | Phase Inductance (mH)±20%(1KHz) Typical |
|--------------------------------------------|--------------------------------------|--------------------------------------|--------------------------------------|-------------------------------------------------|
| 2.6 | 1.2 | 3.3 | 4.0 | 3.2 |

DIMENSIONS unit=mm



CONNECTIONS



| | | | | | | | | | | | |
|----|----|----|-------|----|----|--------------|----|----|----------------|--|--|
| | | | | | | 17HS15-1206S | | | 技术规格书 | | |
| 标记 | 处数 | 分区 | 更改文件号 | 签名 | 日期 | | | | OSM TECHNOLOGY | | |
| 设计 | | | 标准化 | | | 阶段标记 | 重量 | 比例 | | | |
| 审核 | | | | | | | | | | | |
| 工艺 | | | 批准 | | | 共 张 第 张 | | | | | |