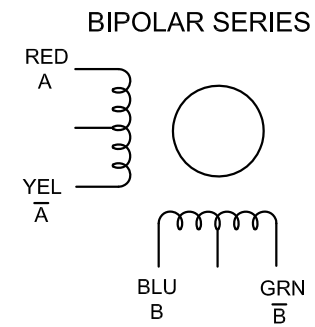
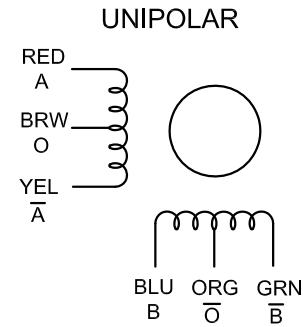


SPECIFICATION	CONNECTION	UNIPOLAR
AMPS/PHASE		0.40
RESISTANCE/PHASE(Ohms)@25°C		25.00±10%
INDUCTANCE/PHASE(mH)@1KHz		17.00±20%
HOLDING TORQUE(Nm)[lb-in]		0.10[0.89]
STEP ANGLE(°)		1.80
STEP ACCURACY(NON-ACCUM)		±5.00%
ROTOR INERTIA(g-cm <sup>2</sup> )		23.00
WEIGHT(Kg)[lb]		0.17[0.37]
TEMPERATURE RISE:MAX.80°C ( MOTOR STANDSTILL;FOR 2PHASE ENERGIZED )		
AMBIENT TEMPERATURE -10°C~50°C[14°F~122°F]		
INSULATION RESISTANCE 100 Mohm (UNDER NORMAL TEMPERATURE AND HUMIDITY)		
INSULATION CLASS B 130°C[266°F]		
DIELECTRIC STRENGTH 500VAC FOR 1MIN.(BETWEEN THE MOTOR COILS AND THE MOTOR CASE )		
AMBIENT HUMIDITY MAX.85%(NO CONDENSATION)		

STEP	A	B	$\bar{A}$	$\bar{B}$	O( $\bar{O}$ )	CW
1	+	+			+	
2		+	+		+	
3			+	+	+	
4	+			+	+	
1	+	+			+	



	APVD		8.17.2018	<h1>STEPPER MOTOR</h1>	
	CHKD				
	SCALE	1.5:1	DRN		<h2>14HS13-0406S</h2>
	SIGNATURE		DATE		